

Turbine flow sensors // VTY10



VTY10, brass



VTY10, plastic

Your advantages

Series	VTY10
	<ul style="list-style-type: none"> • Low wear and extremely long durability due to high quality bearing • Practically no deviation in mass production due to fixed pulse rate • Threaded connection or QuickFasten, proven in numerous mass production applications • High measuring accuracy, mostly independent of fitting position due to integrated flow straightener

Technical data	VTY10 threaded	VTY QuickFasten	
Material pipe section	Brass	Plastic	
Flow range	1...30 l/min		
Accuracy	±1 % of range		
Repeatability	±1 %		
Signal output	From 0.7 l/min	From 0.6 l/min	
Medium temperature	0...90 °C (non-freezing), temporary 95 °C	0...85 °C (non-freezing), temporary 95 °C	0...70 °C (non-freezing), temporary 95 °C
Ambient temperature	0...70 °C		
Pressure rating	PN 16	PN 10	
Nominal diameter	DN 10		
Process connection	G½ male thread	G¾ male thread	QuickFasten
Sensor	Hall effect sensor		
Output signal	Square wave frequency signal, NPN open collector		
Pulse duty ratio	50:50		
Pulse rate / K-factor	495 pulses/l	530 pulses/l	
Electrical connection	80 mm (QuickFasten 90 mm) single wire with Molex Mini-Fit® Jr. plug connector (part number 39-01-4036)		
	Optional: PVC-cable (1 m), optional single wires		Optional: Single wires (115 mm)
Power supply	4.5...24 VDC		

Approvals



NSF/ANSI 372
NSF/ANSI 61

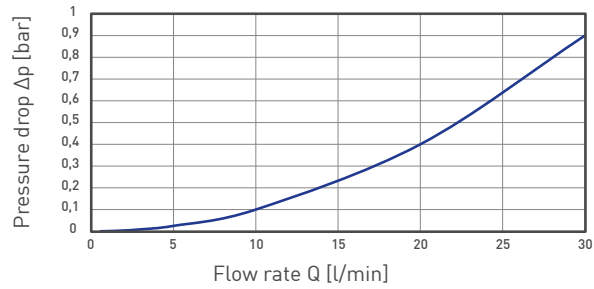


Available for:

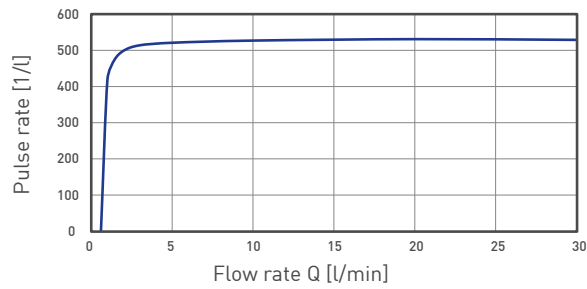
VY1030MKHNX1N3, VY1030MKHN10N3
VY1030K5HNX1A4, VY1030K5HN10A4

Version with G-thread on request

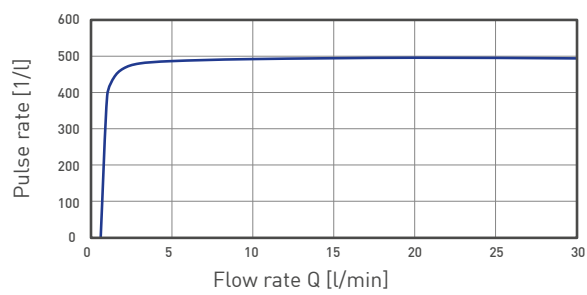
Typical pressure drop



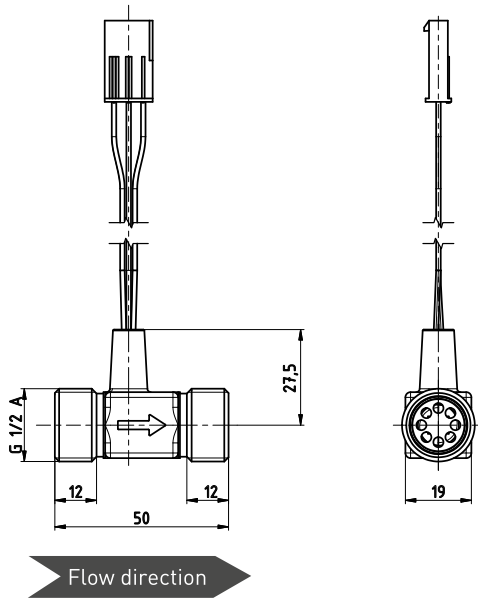
Characteristic curve, plastic



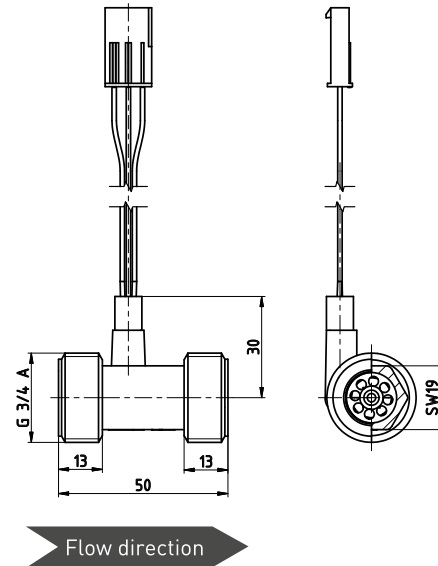
Characteristic curve, brass



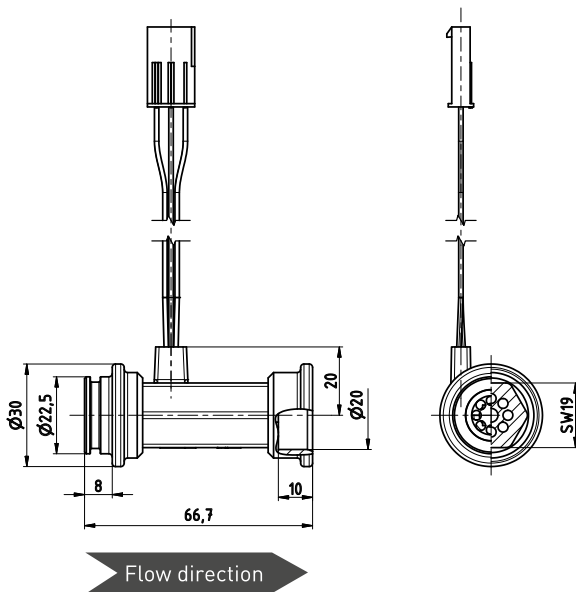
Threaded version, brass



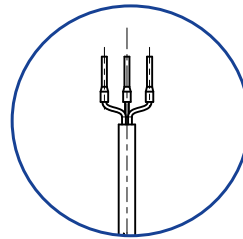
Threaded version, plastic



QuickFasten, plastic



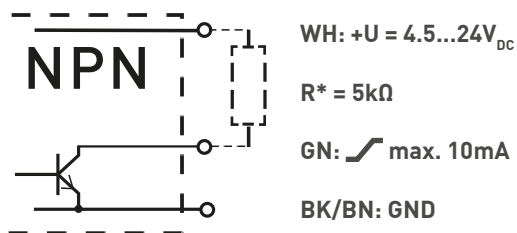
Alternative electrical connection



Materials in contact with fluid

Type	VTY10, brass	VTY10, plastic
Pipe section	Brass CW617N	PPE+PS Noryl™ 30 % glass fibre reinforced
Rotor	PPE+PS Noryl™ 30 % glass fibre reinforced	
Magnet	Hard ferrite	
Shaft	Stainless steel / Hard metal	
Axial bearing	Saphir	
Radial bearing	PEEK Victrex™	

Wiring

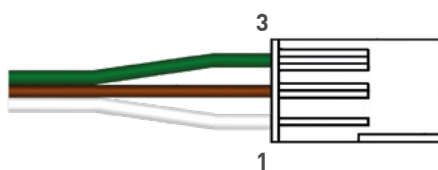
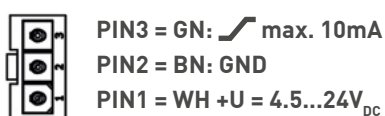


Colour code

- WH = white
- GN = green
- BK = black (single wire)
- BN = brown (PVC cable / Molex)
- R = resistance

* Recommended pull-up resistance R ~ 5kΩ

Pin assignment Molex Mini-Fit® plug



Order code		
Type		
VTY10, brass	VY1030MAHN	
Electrical connection		
80 mm single wire with Molex Mini-Fit® Jr. plug connector		X1A3
1 m PVC-cable		10A3
Example order number		VY1030MAHN X1A3

Note minimum order quantities.

Order code		
Type		
VTY10, plastic	VY1030K5HN	
Electrical connection		
1 m PVC-cable, threaded		10A4
80 mm single wire with Molex Mini-Fit® Jr. plug connector, threaded		X1A4
115 mm single wires, QuickFasten		P0Q1
90 mm single wires mit with Molex Mini-Fit® Jr. plug connector, QuickFasten		X2Q1
Example order number		VY1030K5HN 10A4

Note minimum order quantities.