

Bourdon tube pressure gauges // industrial version

Types MRE and MRE-g




Type MRE-g



Highlights

- Suitable for outdoor use - Closed system
- Case complete stainless steel
- Without electrical auxiliary power

Technical data

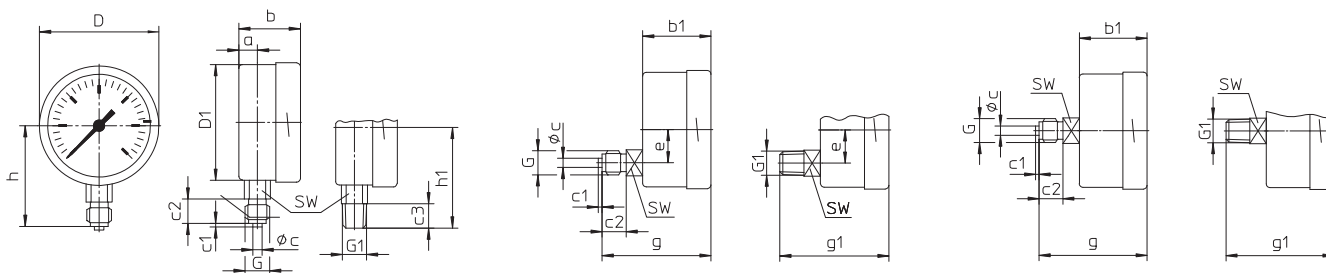
Type	MRE / MRE-g
Version	Bayonet ring case or crimped-on ring case
Nominal size	63 mm
Accuracy	EN 837-1, class 1.6 and class 2.5 (for display ranges 0...600 bar and 0...1000 bar)
Medium / Application	Liquid and gaseous media
Process connection	Thread see table , brass, optional stainless steel
Measurement system	Bourdon spring bronze, optional stainless steel
Degree of protection according to EN 60529	IP54 (IP65 for filled cases with closed pressure compensation insert)
Ambient temperature	-40 to 60 °C (-20 to 60 °C with case filling)
Storage temperature	-40 to 70 °C (-20 to 70 °C with case filling)
Medium temperature	Devices with brass connection max. 60 °C Devices with stainless steel connection max. 200 °C (max. 100 °C with case filling)
Nominal use temperature	20 °C*
Pressure load capacity	Of full-scale value
→ Resting load	75 %
→ Dynamic load	65 %
→ Overload	Max.
Approvals	

* The pressure gauges are calibrated at a reference temperature of 20 °C. At other operating temperatures the maximum indication error is ± 0.4 % of full scale value per 10 °C difference in accordance with EN 837-1.

Types and dimensions // bayonet ring case

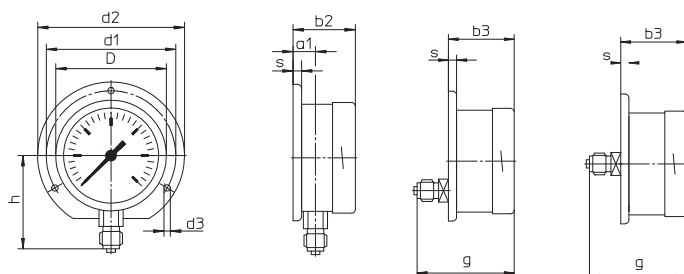
Without mounting flange

Bottom connection, lower back connection or central back connection



With rear flange

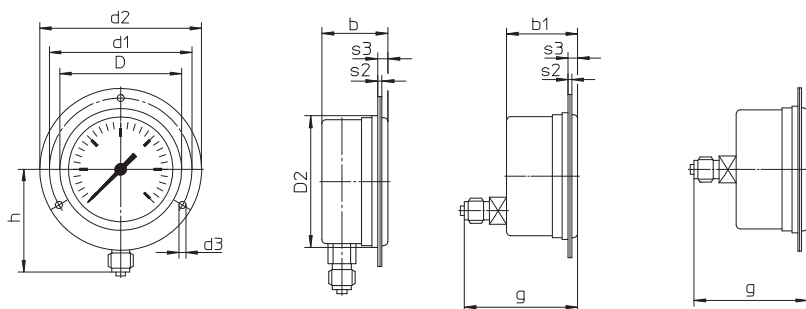
Bottom connection, lower back connection* or central back connection*



- * Versions available on request, but not recommended by EN 837-1.
- ** Front flange with oval holes and separate trim ring, recommended panel cut out $\varnothing 67 \pm 0.3$ mm

With front flange**

Bottom connection*, lower back connection or central back connection



Dimensions [mm]

NS	D	D1	D2	a	a1	b	b1	b2	b3	c	c1	c2	c3	d1	d2
63	64	62	66	10	13	33	37	36	40	5	2	13	13	75	85

Dimensions [mm]

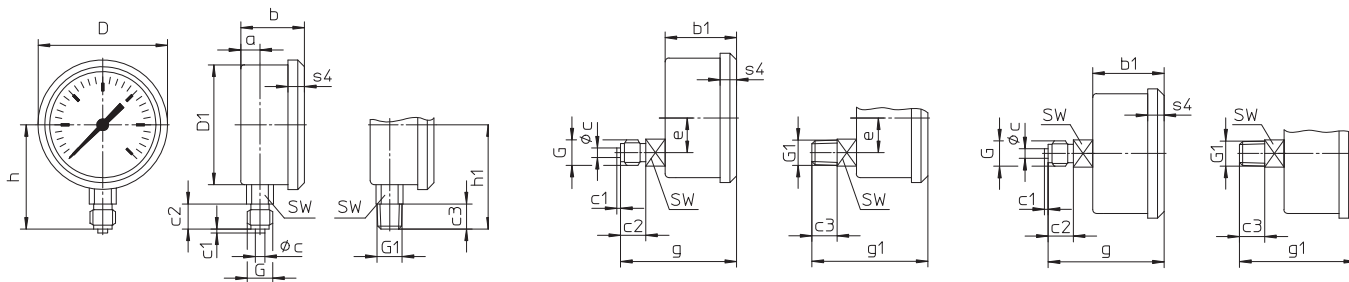
NS	d3	e	G	G1	g	g1	h	h1	s	s2	s3	SW	Weight [kg] (approx.)*	
													unfilled	filled
63	3.6	18	G $\frac{1}{4}$ B M12 x 1.5	$\frac{1}{4}$ NPT	59	59	54	54	5	2	5.5	14	0.18	0.25

* Data applies to versions without mounting flange

Types and dimensions // crimped-on ring case

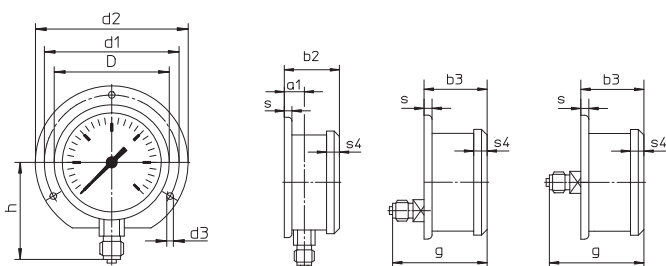
Without mounting flange

Bottom connection, lower back connection or central back connection



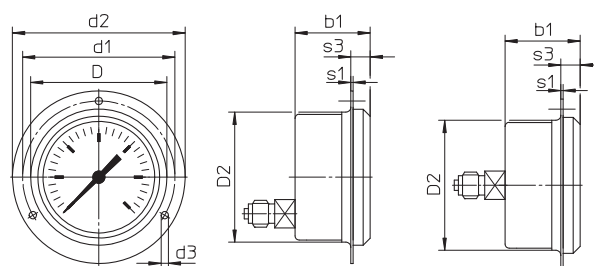
With rear flange

Bottom connection, lower back connection* or central back* connection



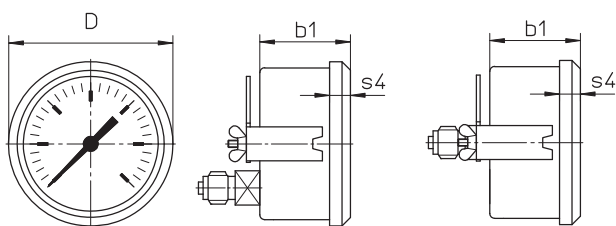
With front flange**

Lower back connection or central back connection



With u-clamp***

Lower back connection or central back connection



- * Versions available on request, but not recommended by EN 837-1
- ** Recommended panel cut out $\varnothing 67 \pm 0.3$ mm
- *** Recommended panel cut out $\varnothing 64 \pm 0.3$ mm

Dimensions [mm]																
NS	D	D1	D2	a	a1	b	b1	b2	b3	c	c1	c2	c3	d1	d2	
63	67	62	64	10	13	33	37	36	40	5	2	13	13	75	85	


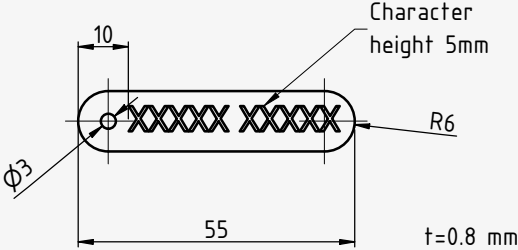
Dimensions [mm]															Weight [kg] (approx.)*	
NS	d3	e	G	G1	g	g1	h ^{±1}	h1 ^{±1}	s	s1	s3	s4	SW	unfilled	filled	
63	3.6	18	G $\frac{1}{4}$ B M12 x 1.5	$\frac{1}{4}$ NPT	60	60	54	54	5	1	9.5	8.5	14	0.18	0.25	

* Data applies to versions without mounting flange

Article numbers

Order code							
Bourdon tube pressure gauges, industrial version							
Bayonet ring case	MRE						
Crimped-on ring case	MREG						
Nominal size							
63 mm		1					
Connection thread							
G¼ B bottom			1				
G¼ B lower back connection			2				
G¼ B central back connection			5				
¼ NPT bottom			M				
¼ NPT lower back connection			N				
¼ NPT central back connection			S				
M12 x 1.5 bottom			3				
M12 x 1.5 lower back connection			4				
M12 x 1.5 central back connection			6				
Connection material							
Brass					1		
Stainless steel					3		
Display ranges							
-1...0 bar						315	
-1...0.6 bar						505	
-1...1.5 bar						515	
-1...3 bar						525	
-1...5 bar						535	
-1...9 bar						545	
-1...15 bar						555	
0...0.6 bar						015	
0...1 bar						025	
0...1.6 bar						035	
0...2.5 bar						045	
0...4 bar						055	
0...6 bar						065	
0...10 bar						075	
0...16 bar						085	
0...25 bar						095	
0...40 bar						105	
0...60 bar						115	
0...100 bar						125	
0...160 bar						135	
0...250 bar						145	
0...400 bar						155	
0...600 bar						165	
0...1000 bar						175	
							only with crimped-on ring case (connection material stainless steel)
Mounting flange							
None							0
Rear flange							1
Front flange							2
U-clamp							3
							only with crimped-on ring case
Options							
None							0
Filled case							
Unfilled case							0
Filled case (glycerine)							G
Example order number	MRE	1	1	1	315	0	0

Accessories

Accessories	Article number
<p>Measuring point designation Laser-inscribed stainless steel plate with fixing wire for easy attachment to measuring points</p> <ul style="list-style-type: none">→ Scope of delivery: Designation plate inscribed according to specification and enclosed fixing wire (sealing wire)→ Fastening: Wire (included in delivery), alternatively sealing, cable ties or similar (not included in delivery)→ Materials: Plate stainless steel 1.4571, wire stainless steel→ Dimensions: Plate 55 x 10 x 0.8 mm, wire length 180 mm→ Inscription: one-sided, single-line, max. 11 characters, character height 5 mm, designation width max. 40 mm, letters, numbers, symbols, barcodes, QR codes→ Transmission of designations: digital list, file formats Excel, Word or CSV  	ONSITETAG