

Industrial thermometers type 174 B, 175 B


Fixed male thread // Nominal size 110 // Aluminium anodized



Highlights

- Accuracy according to DIN 16195
- No aging - no moving parts and no mechanical wear
- Lifetime warranty*
- Completely without electrical auxiliary energy

Technical data

Type	174 B	175 B
Standard	DIN 16181 B, B1 and DIN 16182 S, S1	
Version	Straight	Angle 90°
Dimensions Housing	110 x 30 mm	
Measuring range according to DIN	Between -30...200 °C	
Error limits according to DIN 16195	2 °C	
Medium / Application	Liquid and gaseous media	
Immersion tube length	Between 30...250 mm	
Immersion tube diameter	Ø 10 mm	
Process connection	Fixed male thread G $\frac{3}{8}$, G $\frac{1}{2}$, M20 x 1.5	
Pressure rating**	→ Immersion tube brass, brazed → Immersion tube steel or stainless steel, welded → Immersion tube special brass or CuNi30Fe	
	PN 16	PN 35
	PN 16	PN 16
Medium temperature	See selected measurement range	
Ambient temperature	-20...60 °C (only indoors)	
Storage temperature	-40...100 °C	
Approvals		

* Except glass breakage and improper installation.

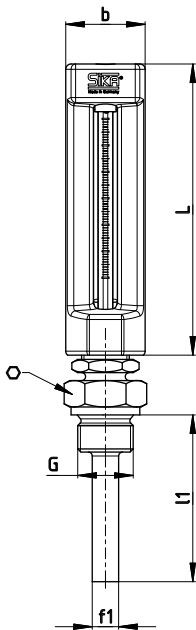
** Non-binding guideline - For higher pressure loads, additional protection tubes have to be used.

Options

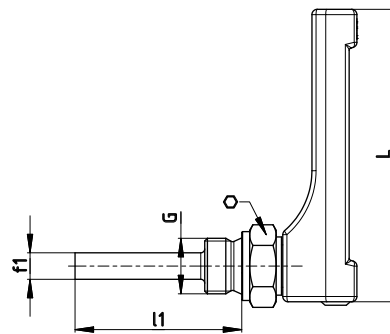
For type	See separate data sheet
174 / 175 B	Version for serial applications Types HBZ / WBZ

Technical drawings // Dimensions

Typ 174 B



Typ 175 B



Dimensions [mm]

Type	L	f ₁	b	l ₁	G / ∅ Width across flats
174 B	110	∅ 10	30	30	G ^{3/8} / SW22
175 B				40	G ^{1/2} / SW27
	63	M20 x 1.5 / SW27			
	100				
	160				
				250	

Materials

Material	
Not in contact with media	
Housing	Warm pressed aluminium part, gold anodized
Thermometer capillary	Prismatic capillary tube of solid glass, bar-shaped, diameter approx. Ø 6 mm, scale permanently burnt in
Thermometer filling → Blue	Petroleum
In contact with media	
Process connection	see immersion tube material
Immersion tube material → Standard → Optional	Brass, brazed Stainless steel, welded Special brass (sea water resistant) Copper nickel alloy CuNi30Fe (sea water resistant)

Article numbers

Order code							
Version							
Straight	174						
Angle 90 °	175						
Immersion tube type							
Type B - fixed male thread	2						
Display ranges							
-30...50 °C		35					
0...50 °C		05					
0...60 °C		06					
0...100 °C		10					
0...120 °C		12					
0...160 °C		16					
0...200 °C		20					
Scale							
Celsius °C			1				
Celsius and Fahrenheit (°C + °F)			2				
Thermometer filling							
Blue				1			
Immersion tube length (l₁)							
30 mm						030	
40 mm						040	
63 mm						063	
100 mm						100	
160 mm						160	
250 mm						250	
Process connection							
G ^{3/8} / SW22							1
G ^{1/2} / SW27							2
M20 x 1.5 / SW27							7
Immersion tube material							
Brass							1
Stainless steel							3
Special brass							4
Copper nickel alloy							5
Example order number	174	2	35	1	1	030	1

If required please ask for our specification sheet „Immersion tube material“

BEST
SELLER

Type		Immersion tube length (l ₁)	Order number						
174 B	Straight type, 0...100 °C with fixed male thread G½ , Immersion tube brass	40 mm	174	2	10	1	040	2	1
174 B		63 mm	174	2	10	1	063	2	1
174 B		100 mm	174	2	10	1	100	2	1
175 B	Angle type, 0...100 °C with fixed male thread G½ , Immersion tube brass	40 mm	175	2	10	1	040	2	1
175 B		63 mm	175	2	10	1	063	2	1
175 B		100 mm	175	2	10	1	100	2	1

Accessories

Accessories	Article number
<p>Measuring point designation Laser-inscribed stainless steel plate with fixing wire for easy attachment to measuring points</p> <p>→ Scope of delivery: Designation plate inscribed according to specification and enclosed fixing wire (sealing wire)</p> <p>→ Fastening: Wire (included in delivery), alternatively sealing, cable ties or similar (not included in delivery)</p> <p>→ Materials: Plate stainless steel 1.4571, wire stainless steel</p> <p>→ Dimensions: Plate 55 x 10 x 0.8 mm, wire length 180 mm</p> <p>→ Inscription: one-sided, single-line, max. 11 characters, character height 5 mm, designation width max. 40 mm, letters, numbers, symbols, barcodes, QR codes</p> <p>→ Transmission of designations: digital list, file formats Excel, Word or CSV</p>	<p>ONSITETAG</p>

