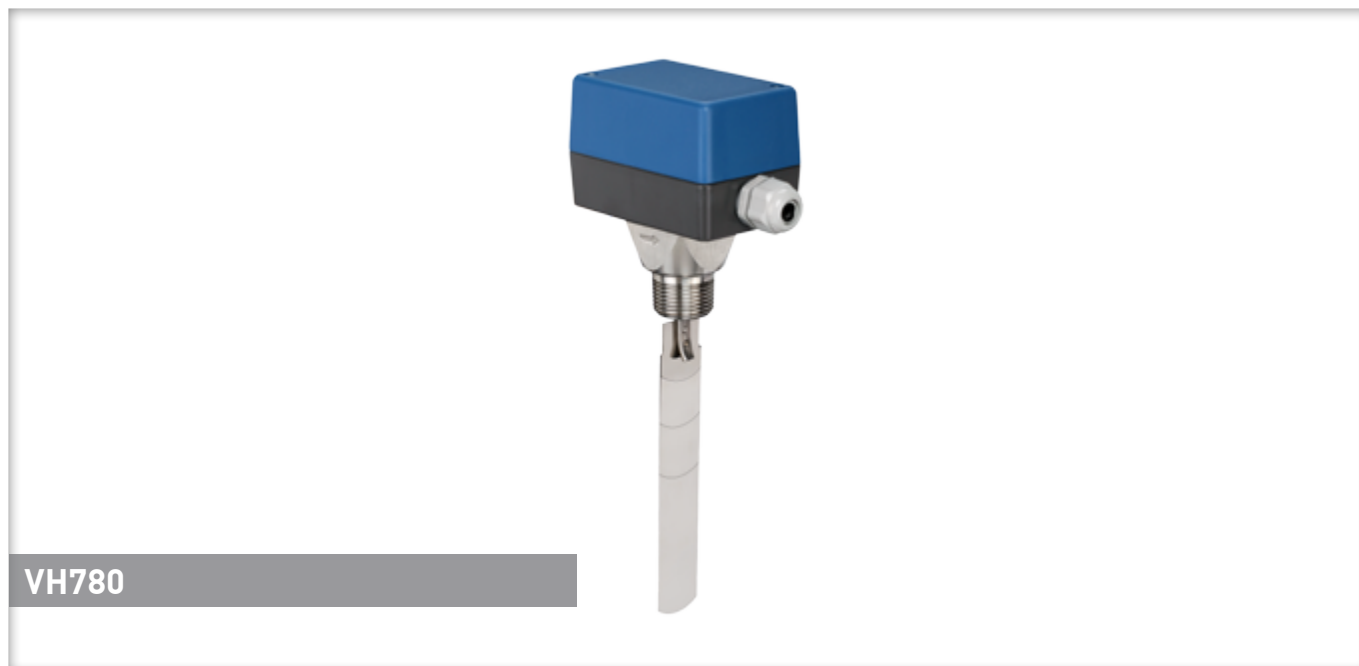


VH780 // for insertion installation



VH780

Your advantages

Series	VH780
	<ul style="list-style-type: none"> • Universal flow switches for DN 32...200 • Adjustable for pipe size and setpoint by paddle size selection • High switching currents → Microswitch is used as switching element

Technical data

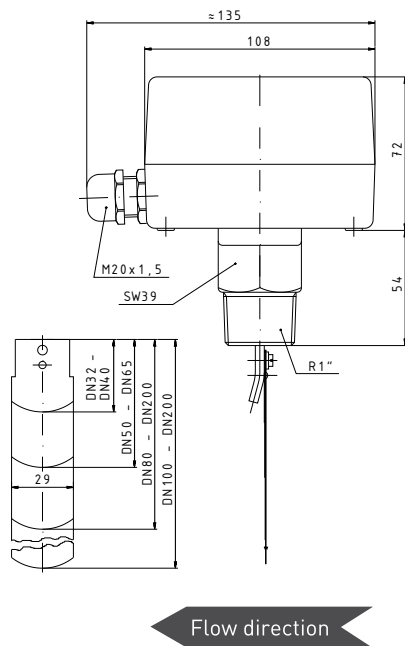
Switching function	Change over contact
Pressure rating	Max. 11 bar (brass) Max. 30 bar (stainless steel)
Temperature ranges	
Medium	-40...120 °C
Ambient	-40...85 °C (10...90 % rH)
Storage and Transportation	-40...85 °C, < 95 % rH
Electrical data	
Change over contact max. contact rating	250 VAC, 15 A, 8 A inductive load
Degree of protection EN 60529	IP65
Protection class EN 60730-1	Class I

Nominal diameter	Paddle to select**	Setpoint ranges [m³/h]*				Max. flow rate [m³/h]
		Standard Setpoint		Low Setpoint		
		Increasing flow ON	Decreasing flow OFF	Increasing flow ON	Decreasing flow OFF	
DN 32	29 x 34 mm	1.3...3.0	0.8...2.8	0.9...1.6	0.25...1.4	3.6
DN 40	29 x 34 mm	1.7...4.0	1.1...3.7	1.2...2.2	0.5...1.6	4.8
DN 50	29 x 60 mm	3.1...6.1	2.2...5.7	2.3...4.1	0.9...3.6	7.3
DN 65	29 x 60 mm	4.0...7.0	2.7...6.5	3.1...5.5	1.2...4.9	8.4
DN 80	29 x 89 mm	6.2...11.4	4.3...10.7	4.9...8.2	2.1...7.4	13.7
DN 100	29 x 167 mm***1	8.0...18.4	6.1...17.3	7.7...13.0	3.3...11.6	22.1
DN 125	29 x 167 mm***2	12.9...26.8	9.3...25.2	11.5...19.6	5.0...17.5	32.2
DN 150	29 x 167 mm***3	16.8...32.7	12.3...30.6	14.1...23.9	6.1...21.4	39.2
DN 200	29 x 167 mm	46.5...94.2	38.6...90.8	36.5...61.8	21.7...55.3	113

* Water, 20 °C, horizontal pipe, tolerance ±15 %

** Higher setpoints selectable by use of smaller paddle sizes.

***1shortened to 29 x 91 mm, ***2shortened to 29 x 117 mm, ***3shortened to 29 x 144 mm



Materials in contact with fluid

	Brass version	Stainless steel version
Body	Brass CW617N	Stainless steel 1.4404
Paddle	Stainless steel 1.4404	
Lever	Brass CW617N	Stainless steel 1.4404
Teeth lock washer	Stainless steel 1.4301	
Fastening screw	Stainless steel 1.4301	
Bellow	Bronze CW453	Stainless steel 1.4404

Order code				
Type				
VH780	VH780J4			
Material				
Brass		1		
Stainless steel		3		
Setpoint				
Standard				1LS10110
Low				2LS10110
Example order number		VH780J4	1	1LS10110

BEST
SELLER

Type	Order number
VH780 Material: Brass, Setpoint: Standard	VH780J4 1 1LS10110

