

VH500 // for insertion installation



VH500

Your advantages

Series	VH500
	<ul style="list-style-type: none"> • DNV GL type approval • Suitable for water, oil, etc. • Adjustable for pipe size and setpoint by paddle size selection • Insertion installation into pipes or pipe tees DN 25...DN 50 • High switching currents → Microswitch is used as switching element • Vibration-resistant up to 4 g

Technical data

Switching function	Change over contact
Pressure rating (Test pressure)	Max. 6 bar (10 bar) or max. 10 bar (15 bar)

Temperatures

Medium	Max. 100 °C
Ambient	Max. 85 °C

Electrical data

Max. contact rating	24 VDC, 5 A resistive load 4 A inductive load
	60 VDC, 1 A resistive load 0.5 A inductive load
	250 VAC, 10 A resistive load 10 A inductive load

Degree of protection EN 60529	IP54
-------------------------------	------

Protection class EN 60730-1	Class I
-----------------------------	---------

Approvals



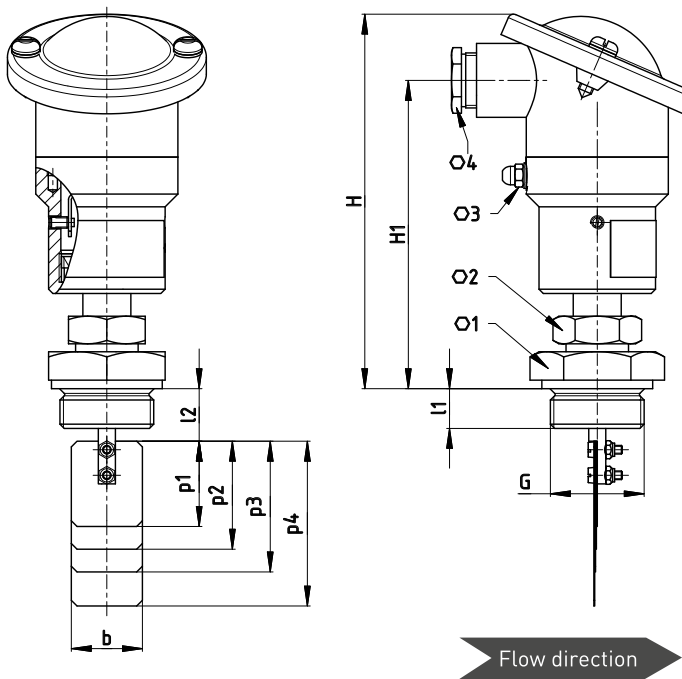
DNV GL type approval
Certificate No. TAA000011M

Size of pipe tee	Paddle to select**	Set point ranges [m³/h]*	
		Increasing flow ON	Decreasing flow OFF
DN 25	25 x 30 mm	1.0...1.25	1.05...1.2
DN 32	25 x 38 mm	1.7...2.05	1.6...1.95
DN 40	25 x 46 mm	2.2...2.55	2.1...2.45
DN 50	25 x 58 mm	3.25...3.85	3.15...3.75

* Water, 20 °C, horizontal pipe, tolerance ±15 %

** Higher set points selectable by use of smaller paddle sizes

Set points for bigger pipe sizes on request



Materials in contact with fluid

Body, process connection	Brass 2.0401
Bellow system	Stainless steel 1.4571
Paddles	Stainless steel 1.4310
Flat gasket	HD 300
O-ring	NBR

Dimensions [mm]	H	H ₁	l ₁	l ₂	G	b	Paddle length				Width across flats			
							p ₁	p ₂	p ₃	p ₄	○1	○2	○3	○4
VH500	135	110	14	18.5	M33 x 2 or G 1	25	30	38	46	58	41	27	7	22

Order code			
Type			
VH500		VH500	
Pressure rating			
6 bar		N	
10 bar		R	
Process connection			
G1		I3451R41	
M33 x 2		M3451M41	
Example order number		VH500	N
		I3451R41	