

# DiTemp® // DT3 series

-40...300 °C



DT3-01

BEST  
SELLER



DT3-10



## Highlights

- Intuitive recognition of process parameters and trends → Dual display unit
- Robust mechanical construction → Reliable and long-lasting operation
- Optional integrable transmitters → Simple integration into process control system
- Simple signalling of critical operating states → Freely programmable switching contacts
- Up to 10 years of energy self-sufficient operation → Durable lithium battery

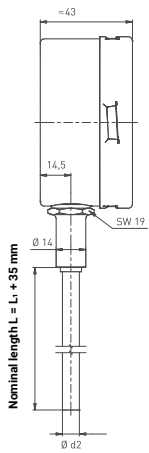
Technical data	
<b>Version</b>	Straight
<b>Dimensions</b>	80 mm x 45 mm (D x D)
<b>Measuring range</b>	-40...300 °C
<b>Medium / Application</b>	Liquid and gaseous media
<b>Immersion tube length</b>	100...400 mm
<b>Immersion tube diameter</b>	6 or 8 mm
<b>Process connection</b>	Without, G $\frac{1}{4}$ , G $\frac{1}{2}$ , G $\frac{3}{4}$ , M20 x 1.5, M27 x 2
<b>Pressure rating</b>	PN 25
<b>Display</b>	Bar graph 17 divisions 3 $\frac{1}{2}$ digit, 7 segment LCD, 14 mm high
<b>Resolution</b>	0.1 K in the range <200 °C 1 K in the range >200 °C
<b>Measuring rate</b>	3 s
<b>Ambient temperature</b>	5...60 °C
<b>Storage temperature</b>	5...60 °C
<b>Degree of protection EN 60529</b>	IP65

Electrical data	
<b>Measuring element</b>	Pt1000 / 2-wire / Class B
<b>Accuracy</b>	$\pm 1$ % of range $\pm 1$ digit
<b>Electrical connection</b>	5-pin plug connector M12 x 1
<b>Supply voltage</b>	Lithium battery, 10 years service life (display unit)
Analogue output	
<b>Current signal</b>	4...20 mA / 2-wire (loop supply 15...26 VDC)
<b>Scaling</b>	Measuring range
<b>Signal error</b>	Error signal according to NAMUR NE43
<b>Burden</b>	Max. 500 $\Omega$
Alarm output	
<b>Quantity</b>	2 x normally open contact
<b>Version</b>	Solid-state relay
<b>Voltage</b>	24 VAC/DC
<b>Output current / switching current</b>	Max. 100 mA
<b>Switching point</b>	Programmable
<b>Hysteresis</b>	Programmable
<b>Alarm delay</b>	0...999.9 s programmable

# Technical drawings

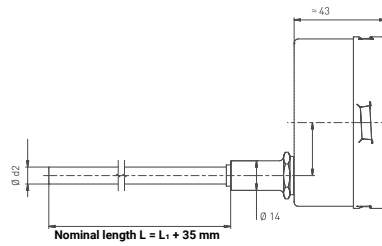
## DT3-01

Immersion tube routed downwards (vertical)



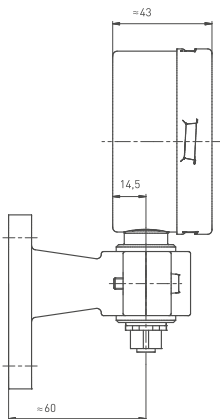
## DT3-02

Immersion tube routed to the rear (axial)



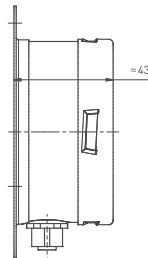
## DT3-10

M12 socket at bottom with wall holder



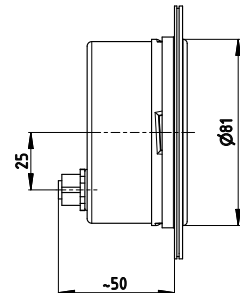
## DT3-20

M12 socket at bottom mounting flange at rear



## DT3-30

M12 socket at rear mounting flange at front



# Materials

Materials	
<b>Not in contact with medium</b>	
<b>Housing</b>	Stainless steel 1.4301 with polished front frame, glass or plastic front screen
<b>In contact with medium</b>	
<b>Process connection</b>	Stainless steel 1.4571
<b>Immersion tube</b>	Stainless steel 1.4571

# Article numbers

Order code										
Type										
Immersion tube routed downwards (vertical)	DT3-01	961								
Immersion tube routed to the rear (axial)	DT3-02	962								
M12 socket at bottom with wall holder	DT3-10	970								
M12 socket at bottom mounting flange at rear	DT3-20	980								
M12 socket at rear mounting flange at front	DT3-30	990								
Display range										
-40...80 °C			48							
0...120 °C			12							
0...160 °C			16							
0...200 °C			20							
0...300 °C			30							
Immersion tube length l <sub>1</sub>	Nominal length L = l <sub>1</sub> + 35 mm									
100 mm	135 mm		100							
160 mm	195 mm		160							
250 mm	285 mm		250							
400 mm	435 mm		400							
Connection type										
Connection type A, plain immersion tube									1	
Connection type AK, adjustable compression fitting									9	
Thread type										
None									0	
Connection type AKa, adjustable compression fitting (male thread)									2	
Connection type AKi, adjustable compression fitting (female thread)									3	
Connection thread										
Without - plain immersion tube									0	
G $\frac{1}{4}$									L	
G $\frac{1}{2}$									2	
G $\frac{3}{4}$									3	
M20 x 1.5									7	
M27 x 2									9	
Immersion tube material	Connection thread material									
Stainless steel 1.4571	None								1	
Stainless steel 1.4571	Stainless steel 1.4571								3	
Immersion tube diameter										
8 mm									0	
6 mm									1	
Connecting cable										
None										0
Cable length 1 m*										1
Cable length 3 m*										3
Cable length 5 m*										5
Cable length 10 m*										A
Special features										
None										0
4...20 mA analog output (pre-programmed to display range)**										3
Alarm output (freely programmable in display range)**										5
Shatter-proof plastic front screen (FDA version)										2
Example order number			<b>961</b>	<b>48</b>	<b>100</b>	<b>1</b>	<b>0</b>	<b>0</b>	<b>1</b>	<b>0</b>
									<b>0</b>	<b>0</b>

\* DT3-10, DT3-20, DT3-30

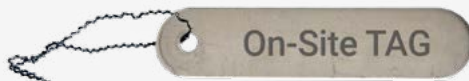
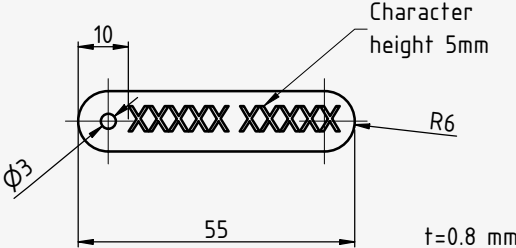
\*\* Not available for DT3-20

# Article numbers

BEST  
SELLER

Type	Order number
<b>DT3</b> DiTemp DT3-30 type 990, M12 socket at rear mounting flange at front, display range -40...80 °C, l <sub>1</sub> = 100 mm, G½, stainless steel 1.4571, immersion tube diameter 8 mm, connecting cable: 3 m, alarm output (freely programmable in display range)	<b>990 48 100 9 2 2 3 0 3 5</b>

# Accessories

Accessories	Article number
<p><b>Measuring point designation</b>                      Laser-inscribed stainless steel plate with fixing wire for easy attachment to measuring points</p> <ul style="list-style-type: none"> <li>→ <b>Scope of delivery:</b> Designation plate inscribed according to specification and enclosed fixing wire (sealing wire)</li> <li>→ <b>Fastening:</b> Wire (included in delivery), alternatively sealing, cable ties or similar (not included in delivery)</li> <li>→ <b>Materials:</b> Plate stainless steel 1.4571, wire stainless steel</li> <li>→ <b>Dimensions:</b> Plate 55 x 10 x 0.8 mm, wire length 180 mm</li> <li>→ <b>Inscription:</b> one-sided, single-line, max. 11 characters, character height 5 mm, designation width max. 40 mm, letters, numbers, symbols, barcodes, QR codes</li> <li>→ <b>Transmission of designations:</b> digital list, file formats Excel, Word or CSV</li> </ul> <div style="display: flex; align-items: center; justify-content: space-around;">   </div>	<p><b>ONSITETAG</b></p>