

Precision dial thermometer, gasfilled system

Type series 301-307 Dc with union nut M 24x1,5
for local temperature indication, for protecting tubes DIN 43772
form 4

Class 1: DIN EN 13190
Indicating ranges: -60 up to +600°C (special ranges on request)
Case: case with bayonet ring and steel bezel, st.st. 1.4301
Type of protection: IP 54
Indication correcting facility: By adjustable pointer or adjusting screw
Accuracy: Limits of error in accordance with DIN EN 13190

| Order code (example) | 301 | 1 | 1 | 40 | 215 | 5 | 8 | 1 |
|---|---------------|---------------|---|-----|-----|---|---|---|
| Thermometer mounting: | | | | | | | | |
| Vertical | 301 | | | | | | | |
| Axial | 302 | | | | | | | |
| 90° to rear | 303 | | | | | | | |
| 90° to right | 304 | | | | | | | |
| 90° to left | 305 | | | | | | | |
| 135° to rear | 306 | | | | | | | |
| Universally adjustable | 307 | | | | | | | |
| Case, nominal diameter d1 : | | | | | | | | |
| 63 mm filled ¹⁾ A dry | | 1 | | | | | | |
| 80 mm B | | 2 | | | | | | |
| 100 mm C | | 3 | | | | | | |
| 160 mm D | | 4 | | | | | | |
| Case material | | | | | | | | |
| Stainless steel 1.4301 | | | 2 | | | | | |
| Indicating ranges: * | | | | | | | | |
| -60 +40°C = 64 | 0 +80°C = 08 | 0 +250°C = 25 | | | | | | |
| -40 +40°C = 44 | 0 +100°C = 10 | 0 +300°C = 30 | | | | | | |
| -30 +30°C = 33 | 0 +120°C = 12 | 0 +400°C = 40 | | | | | | |
| -30 +50°C = 35 | 0 +160°C = 16 | 0 +500°C = 50 | | | | | | |
| 0 +60°C = 06 | 0 +200°C = 20 | 0 +600°C = 60 | | | | | | |
| Immersion tube immersed lengths dimension l ₁ : | | | | | | | | |
| 155 ¹⁾ mm | | | | 155 | | | | |
| 215 ¹⁾ mm | | | | 215 | | | | |
| 275 ¹⁾ mm | | | | 275 | | | | |
| 295 ²⁾ mm | | | | 295 | | | | |
| 355 ²⁾ mm | | | | 355 | | | | |
| 415 ²⁾ mm | | | | 415 | | | | |
| Immersion tube diameter d ₂ 6 mm. | | | | | | | | |
| ¹⁾ for protection tubes DIN 43763 form D with double threaded-nipple M 18x1,5 / M 24x1,5 | | | | | | | | |
| ²⁾ for protection tubes DIN 43763 form D with neck 165 mm | | | | | | | | |
| Immersion tube type: | | | | | | | | |
| Union nut Typ Dc | | | | | | 5 | | |
| Threaded connection d _G : | | | | | | | | |
| M 24x1,5 SW 32 | | | | | | | 8 | |
| Material for immersion tube and thread | | | | | | | | |
| tube 1.4571 / thread 1.4571 | | | | | | | | 3 |

Additional features:

¹⁾ Casing filled with glycerine or silicon oil (vibration resistance), protection IP 65,
Contact facilities see page 16-18.

* Also available with double division celsius and Fahrenheit (C+F)

Protecting tubes for weld-in in accordance DIN 43722 form 4- see page 21.



Type 301

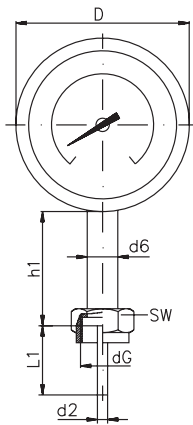


Type 302

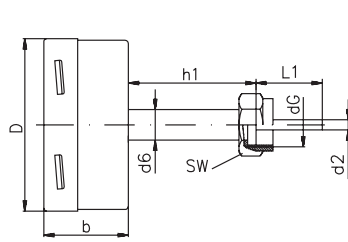


Type 307

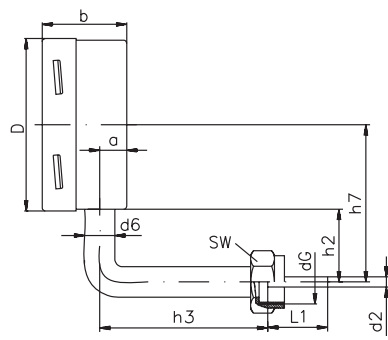
Type 301 Dc



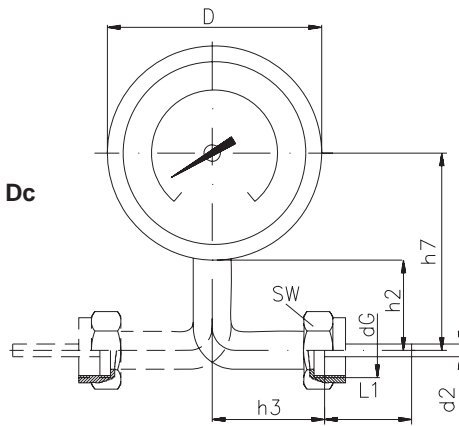
Type 302 Dc



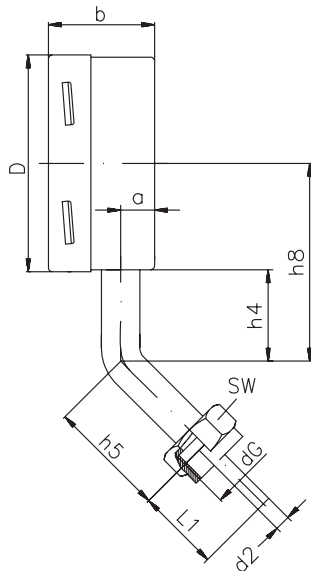
Type 303 Dc



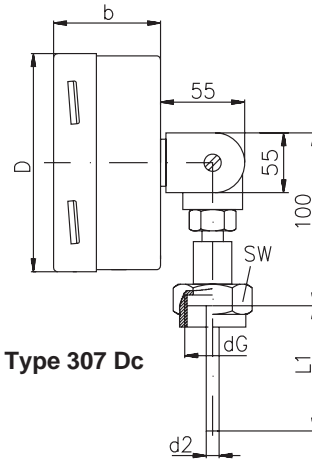
Type 305 Dc / Type 304 Dc



Type 306 Dc



Type 307 Dc



| Dimensions (mm) | | | | | | | | | | | | |
|-----------------|----|----|-----|----------------|----|------------------|----------------|----------------|----------------|----------------|----------------|----------------|
| Dia | a | b | D | d ₆ | h* | h ₁ * | h ₂ | h ₃ | h ₄ | h ₅ | h ₇ | h ₈ |
| 63 | 16 | 41 | 64 | 12 | 40 | 40 | 70 | 60 | 70 | 45 | 100 | 90 |
| 80 | 13 | 44 | 81 | 12 | 60 | 60 | 85 | 120 | 70 | 120 | 125 | 110 |
| 100 | 16 | 55 | 101 | 12 | 60 | 60 | 85 | 120 | 70 | 120 | 134,5 | 119,5 |
| 160 | 16 | 50 | 161 | 12 | 60 | 60 | 85 | 120 | 70 | 120 | 164,5 | 149,5 |

| Size of thread | |
|----------------|----------------|
| AF | d _G |
| 32 | M 24x1,5 |

* 80 mm up to indicating ranges $\geq 500^{\circ}\text{C}$ and sensor length $\geq 120^{\circ}\text{C}$, smaller sensors and special orderings on request.

We reserve the right to alter specifications in the course of further product development and improvement.