

## Precision dial thermometer, gas filled system

**Type series 301-307 Da** with union nut G 1/2 - G 3/4 - M 20x1,5 - M 27x2

for local temperature indication

Class 1:	DIN EN 13190
Indicating ranges:	-60 up to +600°C (special ranges on request)
Case:	Case with bayonet ring and steel bezel, st.st.1.4301
Type of protection:	IP 54
Indication correcting facility:	By adjustable pointer or adjusting screw
Accuracy:	Limits of error in accordance with DIN EN 13190

Order code (example)	301	1	1	40	093	3	2	1
Thermometer mounting:								
Vertical	301							
Axial	302							
90° to rear	303							
90° to right	304							
90° to left	305							
135° to rear	306							
Universally adjustable	307							
Case, nominal diameter d1 :								
63 mm filled <sup>1)</sup> A dry		1						
80 mm B		2						
100 mm C		3						
160 mm D		4						
Case material:								
Stainless steel 1.4301			2					
Indicating ranges: *								
-60 +40°C = 64	0 +80°C = 08	0 +250°C = 25						
-40 +40°C = 44	0 +100°C = 10	0 +300°C = 30						
-30 +30°C = 33	0 +120°C = 12	0 +400°C = 40						
-30 +50°C = 35	0 +160°C = 16	0 +500°C = 50						
0 +60°C = 06	0 +200°C = 20	0 +600°C = 60						
Immersion tube immersed lengths dimension l <sub>1</sub> :								
for union nut:								
G 1/2 or M 20x1,5								
89 mm = 089								
126 mm = 126								
186 mm = 186								
276 mm = 276								
426 mm = 426								
We supply 10mm dia as standard. The immersion tubes are available with d2: 6mm, 8mm or 12mm.								
Immersion tube type:								
Union nut Typ Da						3		
Threaded connection d <sub>G</sub> :								
G 1/2 A SW 27							2	
G 3/4 A SW 32							3	
M 20x1,5 SW 27							7	
M 27x2 SW 32							9	
Material for immersion tube and union nut:								
tube 1.4571 / thread 1.4571								3

### Additional features:

<sup>1)</sup>Casing filled with glycerine or silicon oil (vibration resistance), protection IP 65, Contact facilities see page 16-18.

\* Also available with double division celsius and Fahrenheit (C+F)

Protecting tubes for weld-in or screwing in accordance DIN 43722 form 8, 9 und DIN 16179 CS (old version)- see page 20.



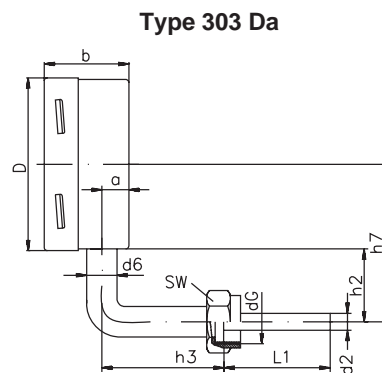
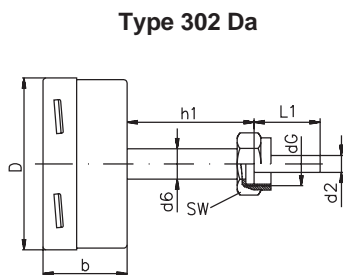
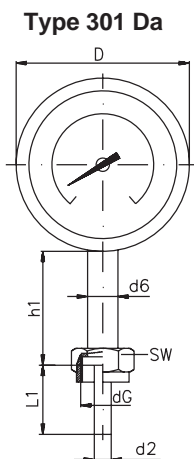
**Type 301**



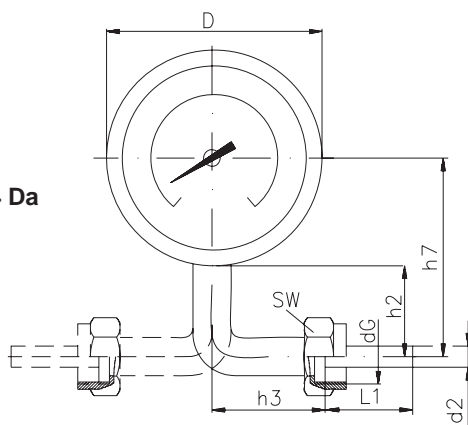
**Type 302**



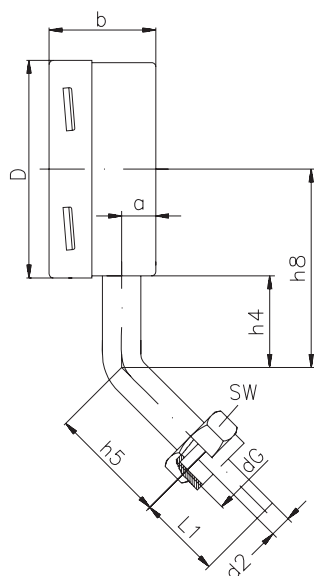
**Type 307**



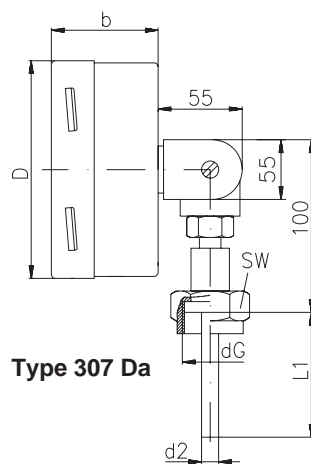
**Type 305 Da / Type 304 Da**



**Type 306 Da**



**Type 307 Da**



Dimensions (mm)												
Dia	a	b	D	d <sub>6</sub>	h*	h <sub>1</sub> *	h <sub>2</sub>	h <sub>3</sub>	h <sub>4</sub>	h <sub>5</sub>	h <sub>7</sub>	h <sub>8</sub>
63	16	41	64	12	40	40	70	60	70	45	100	90
80	13	44	81	12	60	60	85	120	70	120	125	110
100	16	55	101	12	60	60	85	120	70	120	134,5	119,5
160	16	50	161	12	60	60	85	120	70	120	164,5	149,5

Size of thread	
AF	d <sub>G</sub>
27	G 1/2
32	G 3/4
27	M 20x1,5
32	M 27x2

\* 80 mm up to indicating ranges  $\geq 500^{\circ}\text{C}$  and sensor length  $\geq 120^{\circ}\text{C}$ , smaller sensors and special orderings on request.

We reserve the right to alter specifications in the course of further product development and improvement.