

# SIKA-Precision dial thermometer, gas filled system

## Type series 301-307 B

with fixed male thread for local temperature indication

class 1:	DIN EN 13190
Indicating ranges:	-60 up to +600°C (Special ranges on request)
Case:	case with bayonet ring and steel bezel, st.st.1.4301
Type of protection:	IP 54
Indication correcting facility:	By adjustable pointer or adjusting screw
Accuracy:	Limits of error in accordance with DIN EN 13190

Order code (example))	301	1	1	40	063	2	2	3
Thermometer mounting:								
Vertical	301							
Axial	302							
90° to rear	303							
90° to right	304							
90° to left	305							
135° to rear	306							
universally adjustable	307							
Case, nominal diameter d1 :								
63 mm filled <sup>1)</sup> A	dry	1						
80 mm B		2						
100 mm C		3						
160 mm D		4						
Case material:								
Stainless steel 1.4301			2					
Indicating ranges: *								
-60 +40°C = 640 +80°C = 08			0 +250°C = 25					
-40 +40°C = 440 +100°C = 10			0 +300°C = 30					
-30 +30°C = 330 +120°C = 12			0 +400°C = 40					
-30 +50°C = 350 +160°C = 16			0 +500°C = 50					
0 +60°C = 060 +200°C = 20			0 +600°C = 60					
Immersion tube immersed lengths dimension l <sub>1</sub> mm:								
63 mm =				063				
100 mm =				100				
160 mm =				160				
250 mm =				250				
400 mm =				400				
The immersion tubes are available with the following diameters d2: 6mm, 8mm, 10mm, 12mm, 14mm. Please state the required dia when ordering! We supply 10 mm dia as standard.								
Immersion tube type								
Fixed male thread	Type B					2		
Threaded connectiond <sub>G</sub> :								
G ½ A SW 27							2	
G ¾ A SW 32							3	
G 1 A SW 41							4	
M 20x1,5 SW 27							7	
M 27x2 SW 32							9	
Material for immersion tube and thread:								
tube 1.4571 / thread 1.4571								3

### Additional features:

<sup>1)</sup>Casing filled with glycerine or silicon oil (vibration resistance), protection IP 65, Contact facilities see page 16-18.

\* Also available with double division celsius and Fahrenheit (C+F)

Protecting tubes for weld-in or screwing in accordance DIN 43722 form 4, 5, 6 - see page 19.



Type 301

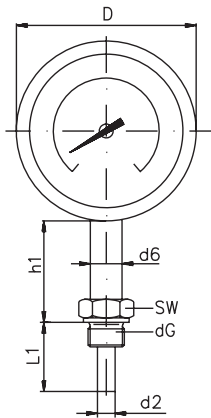


Type 302

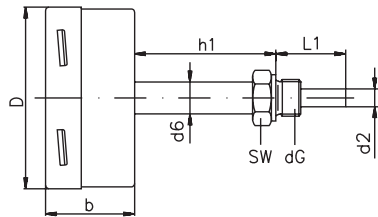


Type 307

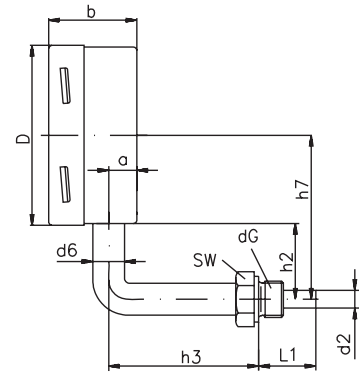
**Type 301 B**



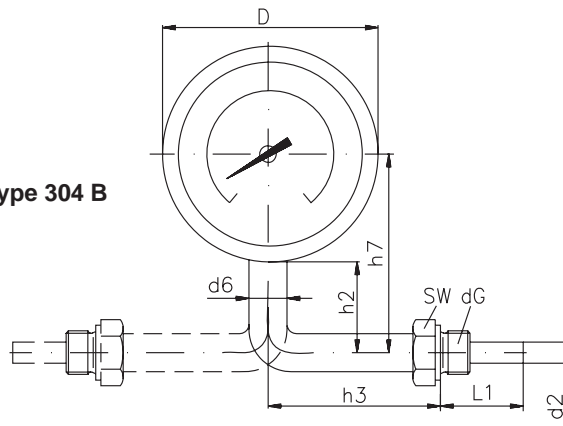
**Type 302 B**



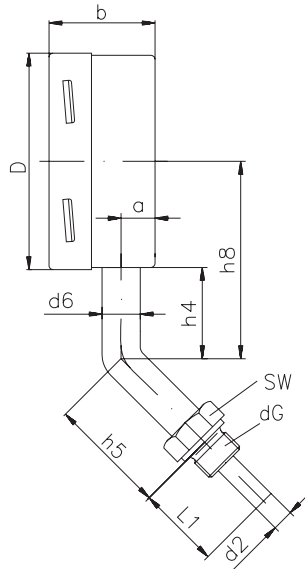
**Type 303 B**



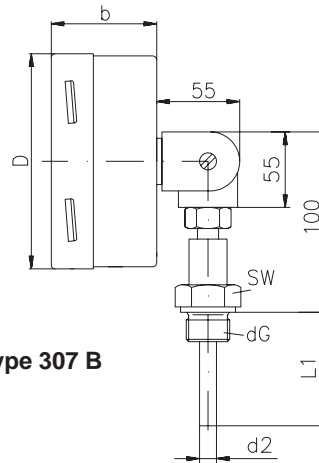
**Type 305 B / Type 304 B**



**Type 306 B**



**Type 307 B**



Dimensions (mm)												
Dia	a	b	D	d <sub>6</sub>	h*	h <sub>1</sub> *	h <sub>2</sub>	h <sub>3</sub>	h <sub>4</sub>	h <sub>5</sub>	h <sub>7</sub>	h <sub>8</sub>
63	16	41	64	12	40	40	70	60	70	45	100	90
80	13	44	81	12	60	60	85	120	70	120	125	110
100	16	55	101	12	60	60	85	120	70	120	134,5	119,5
160	16	50	161	12	60	60	85	120	70	120	164,5	149,5

Size of thread	
AF	d <sub>G</sub>
27	G 1/2 A
32	G 3/4 A
41	G 1 A
27	M 20x1,5
32	M 27x2

\* 80 mm up to indicating ranges ≥ 500°C and sensor length ≥ 120°C, smaller sensors and special orderings on request.

We reserve the right to alter specifications in the course of further product development and improvement