

SIKA Precision dial thermometer, gasfilled system

Type series 310 WH/Dc - 320 TA/Dc - 330 TE/Dc

with union nut M 24x1,5, for protecting tube weld-in type DIN 43772 Form 4

Class 1:	DIN EN 13190
Indicating ranges:	-60 bis +600°C (special ranges on request)
Case:	case with bayonet ring and steel bezel, st.st. 1.4301
Type of protection:	IP 54
Indication correcting facility:	By adjustable pointer or adjusting screw
Accuracy:	Limits of error in accordance with DIN EN 13190

Order code (example)	310	1	1	40	215	5	8	1
Thermometer mounting: 310 WH with wall bracket	310							
320 TA with rear flange	320							
330 TE with front flange	330							
Case, nominal diameter d1 in mm :								
63 mm filled ¹⁾ A	dry	1						
80 mm B		2						
100 mm C		3						
160 mm D		4						
Case material: Stainless steel 1.4301			2					
Indicating ranges: *								
-60 +40°C = 64	0 +80°C = 08	0 +250°C = 25						
-40 +40°C = 44	0 +100°C = 10	0 +300°C = 30						
-30 +30°C = 33	0 +120°C = 12	0 +400°C = 40						
-30 +50°C = 35	0 +160°C = 16	0 +500°C = 50						
0 +60°C = 06	0 +200°C = 20	0 +600°C = 60						
Immersion tube immersed lengths dimension l ₁ mm:								
155 ²⁾ mm =				155				
215 ²⁾ mm				215				
275 ²⁾ mm				275				
295 ³⁾ mm				295				
355 ³⁾ mm				355				
415 ³⁾ mm				415				
Immersion tube diameter d ₂ 6 mm.								
²⁾ for immersion tube acc.to DIN 43772 form 4 with connection nipple M18x1,5 /M24x1,5								
³⁾ for immersion tube acc.to DIN 43772 form 4 with neck tube 165 mm								
Immersion tube type:								
Union nut	Typ Dc					5		
Threaded connection d _G :								
M 24x1,5 SW 32							8	
Material for immersion tube and union nut:								
Tube 1.4571 / union nut 1.4305								3

Additional features:

¹⁾ Casing filled with glycerine oil or silicone oil (vibration resistance), protection

IP 65, contact facilities see page 16-18

Capillary: stainless steel 1.4571**, stainless steel with spiral protecting 1.4301**
stainless steel 1.4571 in plastic sheath**

* Also available with double indicating range °C and °F

** Please state the required capillary material and length when ordering.

Protecting tubes for weld-in or screwing in accordance DIN 43772 form see page 21



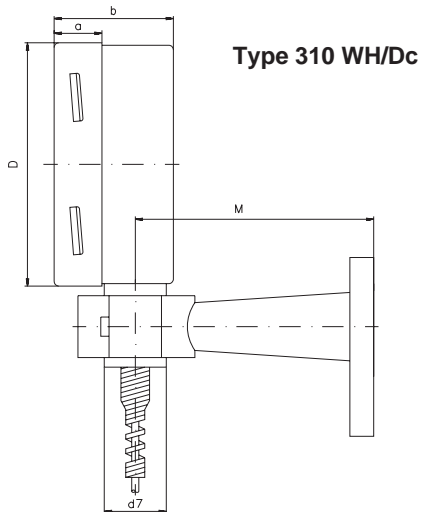
Type 310 WH



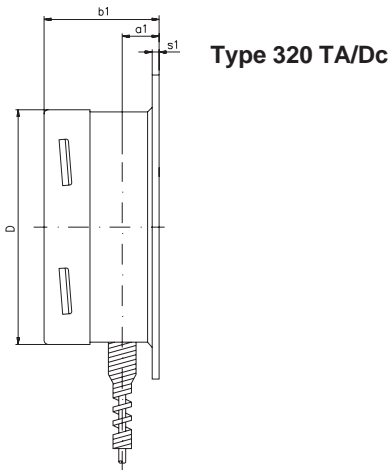
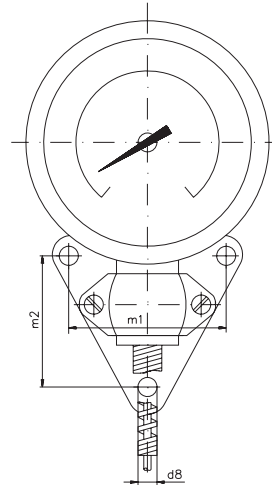
Type 320 TA



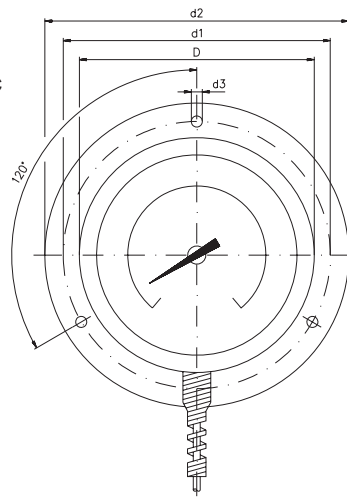
Type 330 TE



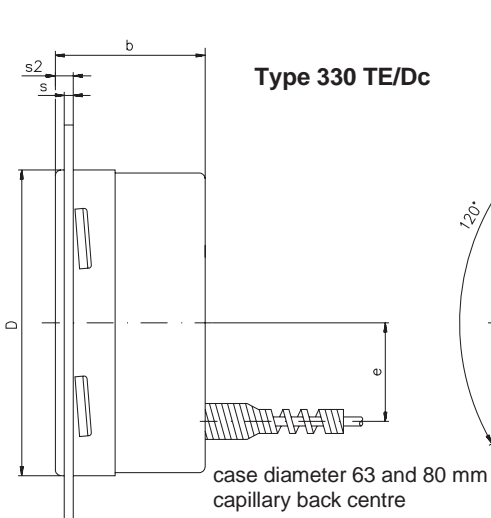
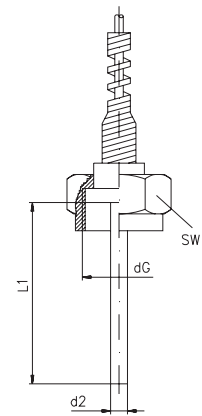
Type 310 WH/Dc



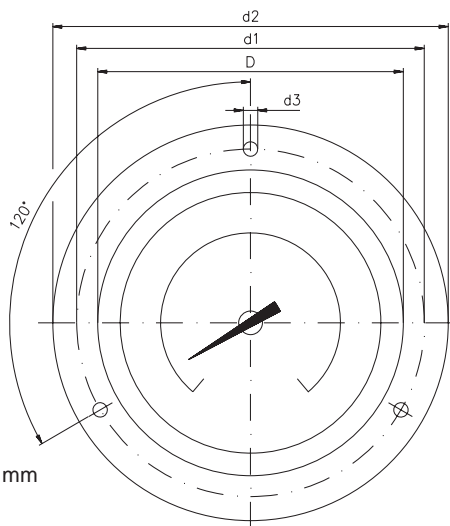
Type 320 TA/Dc



Immersion tube type Dc



Type 330 TE/Dc



case diameter 63 and 80 mm
capillary back centre

Size of thread	
AF	d G
27	G ¹ / ₂
32	G ³ / ₄
27	M 20x1,5
32	M 27x2

We reserve the right for technical modifications

Dimensions (mm)																		
Dia	a	a ₁	b	b ₁	D	d ₁	d ₂	d ₃	e	s	s ₁	s ₂	d ₇	d ₈	m ₁	m ₂	M	
63	16	18	41	44,5	64	75	85	3,7	-	2	6	5	26	7	65	56	100	
80	13	15	49	51	81	95	110	3,7	-	2	6	5						
100	16	19,5	55	59	101	116	132	4,8	36	2	6	6						
160	16	19,5	50	54	161	178	196	5,8	53	2	6	6						