

## SIKA Precision dial thermometer, gasfilled system

### Type series 310 WH/Da - 320 TA/Da - 330 TE/Da

with union nut G 1/2 - G 3/4 - M 20x1,5 - M 27x2

Class 1:	DIN EN 13190
Indicating range:	-60 bis +600°C (special ranges on request)
Case:	case with bayonet ring and steel bezel, st.st. 1.4301
Type of protection:	IP 54
Indication correcting facility:	By adjustable pointer or adjusting screw
Accuracy:	Limits of error in accordance with DIN EN 13190

Order code (example)	310	1	1	40	093	3	2	1
Thermometer mounting:								
310 WH with wall bracket	310							
320 TA with rear flange	320							
330 TE with front flange	330							
Case, nominal diameter d1:								
63 mm filled <sup>1)</sup>	A	dry	1					
80 mm	B		2					
100 mm	C		3					
160 mm	D		4					
Case material:								
Stainless steel 1.4301				2				
Indicating ranges: *								
-60 +40°C = 64	0 +80°C = 08	0 +250°C = 25						
-40 +40°C = 44	0 +100°C = 10	0 +300°C = 30						
-30 +30°C = 33	0 +120°C = 12	0 +400°C = 40						
-30 +50°C = 35	0 +160°C = 16	0 +500°C = 50						
0 +60°C = 06	0 +200°C = 20	0 +600°C = 60						
Immersion tube immersed lengths dimension l <sub>1</sub> :								
for union nut:								
G 1/2 or M 20x1,5								
89 mm = 089								
126 mm = 126								
186 mm = 186								
276 mm = 276								
426 mm = 426								
Immersion tube diameter d <sub>2</sub> standard 10 mm.								
On request with Ø 6 mm, 8 mm or 12 mm available.								
Immersion tube type:								
Union nut		Typ Da				3		
Threaded connection d <sub>G</sub> :								
G 1/2 A SW 27							2	
G 3/4 A SW 32							3	
M 20x1,5 SW 27							7	
M 27x2 SW 32							9	
Material for immersion tube and union nut:								
tube 1.4571 / union nut 1.4305								3

#### Additional features:

<sup>1)</sup>Casing filled with glycerine oil or silicone oil (vibration resistance), protection IP 65, contact facilities see page 16-18

Capillary: stainless steel 1.4571<sup>2)</sup>, stainless steel with spiral protecting 1.4301<sup>2)</sup> stainless steel 1.4571 in plastic sheath<sup>2)</sup>

\* Also available with double indicating range °C and °F

<sup>2)</sup> Please state the required capillary material and length when ordering.

Protecting tubes for weld-in or screwing in accordance DIN 43772 form 8, 9 and DIN 16179 CS (old version) see page 20



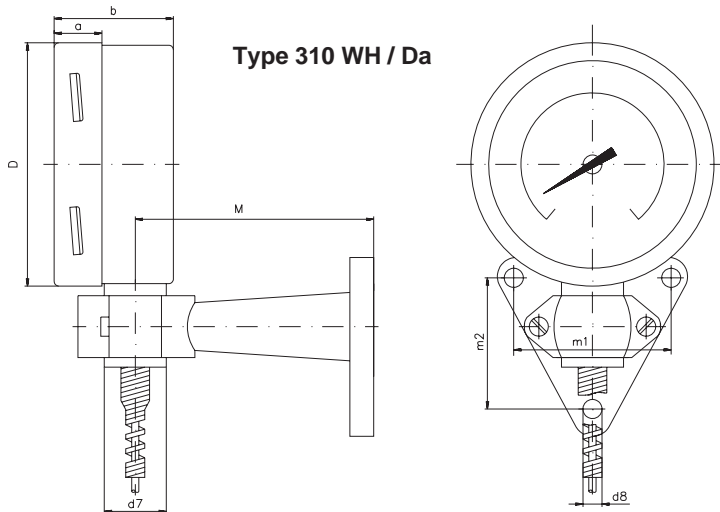
Type 310 WH



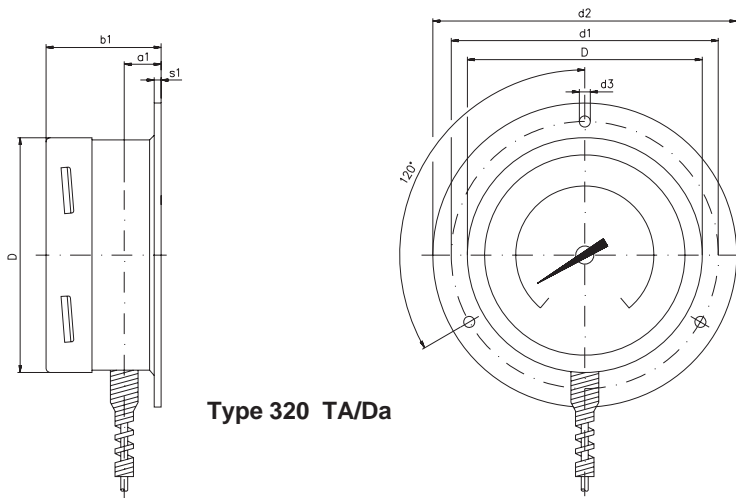
Type 320 TA



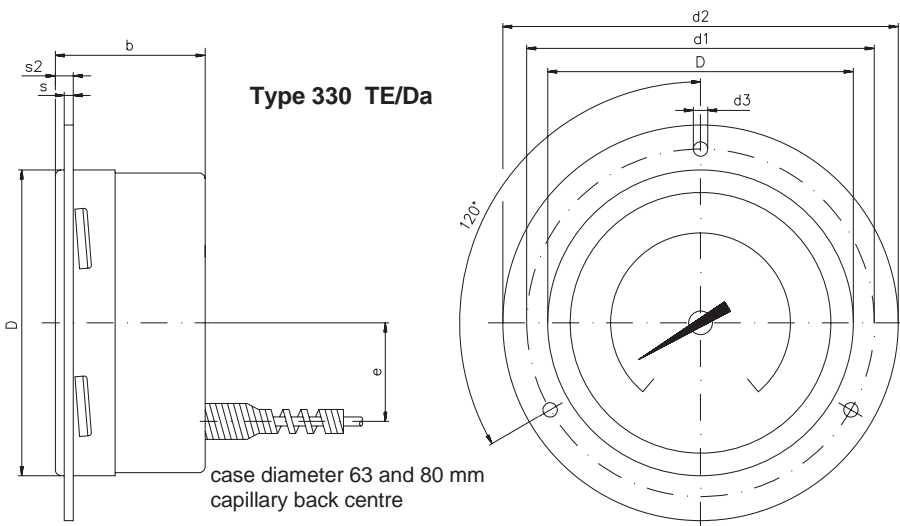
Type 330 TE



Type 310 WH / Da

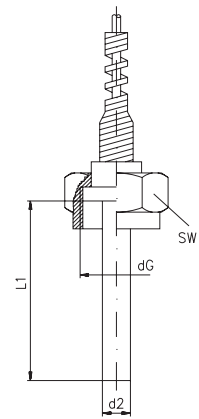


Type 320 TA/Da



Type 330 TE/Da

Immersion tube type Da



Size of thread	
SW	d <sub>G</sub>
27	G <sup>1</sup> / <sub>2</sub>
32	G <sup>3</sup> / <sub>4</sub>
27	M 20x1,5
32	M 27x2

We reserve the right for technical modifications.

Dimensions (mm)																		
Dia	a	a <sub>1</sub>	b	b <sub>1</sub>	D	d <sub>1</sub>	d <sub>2</sub>	d <sub>3</sub>	e	s	s <sub>1</sub>	s <sub>2</sub>	d <sub>7</sub>	d <sub>8</sub>	m <sub>1</sub>	m <sub>2</sub>	M	
63	16	18	41	44,5	64	75	85	3,7	-	2	6	5	26	7	65	56	100	
80	13	15	49	51	81	95	110	3,7	-	2	6	5						
100	16	19,5	55	59	101	116	132	4,8	36	2	6	6						
160	16	19,5	50	54	161	178	196	5,8	53	2	6	6						