

SIKA precision dial thermometer, gasfilled system

Type series 310 WH/DN - 320 TA/DN - 330 TE/DN

with union nut and double threaded nipple G ½ A - G ¾ A - M 20x1,5 - M 27x2
(also available with adjustable clamp screwing.../AK))

Class 1: DIN EN 13190
 Indicating ranges: -60 up to +600°C (special ranges on request)
 Case: case with bayonet ring and steel bezel, st.st. 1.4301
 Type of protection: IP 54
 Indication correcting facility: By adjustable pointer or adjusting screw
 Accuracy: Limits of error in accordance with DIN EN 13190

Order code (example)	310	1	1	40	063	4	2	1
Thermometer mounting: 310 WH with wall bracket	310							
320 TA with rear flange	320							
330 TE with front flange	330							
Case, nominal diameter d1 in mm :								
63 mm filled ¹⁾ A dry		1						
80 mm B		2						
100 mm C		3						
160 mm D		4						
Case material: St. steel 1.4301			2					
Indicating ranges: *								
-60 +40°C = 64	0 +80°C = 08	0 +250°C = 25						
-40 +40°C = 44	0 +100°C = 10	0 +300°C = 30						
-30 +30°C = 33	0 +120°C = 12	0 +400°C = 40						
-30 +50°C = 35	0 +160°C = 16	0 +500°C = 50						
0 +60°C = 06	0 +200°C = 20	0 +600°C = 60						
Immersion tube immersed lengths dimension l ₁ mm:								
63 mm				063				
100 mm				100				
160 mm				160				
250 mm				250				
400 mm				400				
We supply 10 mm dia as standard. The immersion tubes are available with the following diameters d2: 6mm, 8mm or 12mm.								
Immersion tube type:								
Union nut and double threaded nipple		Typ DN				4		
Adjustable clamp screwing		Typ AK				9		
Threaded connection d _G :								
G ½ A SW 27							2	
G ¾ A SW 32							3	
M 20x1,5 SW 27							7	
M 27x2 SW 32							9	
Material for immersion tube, union nut and double threaded nipple Tube 1.4571 / union nut and double threaded nipple stainless steel 1.4571								3
Material for immersion tube and adjustable clamp screwing Tube 1.4571 / adjustable clamp screwing stainless steel 1.4571								3

Additional features:

¹⁾Casing filled with glycerine oil or silicone oil (vibration resistance), protection IP 65, contact facilities see page 16-18

Capillary: stainless steel 1.4571²⁾, stainless steel with spiral protecting 1.4301²⁾
stainless steel 1.4571 in plastic sheath²⁾

* Also available with double indicating range °C and °F

²⁾ Please state the required capillary material and length when ordering.

Protecting tubes for weld-in or screwing in accordance DIN 43772 form 4, 5, 6 see page 19



Type 310 WH

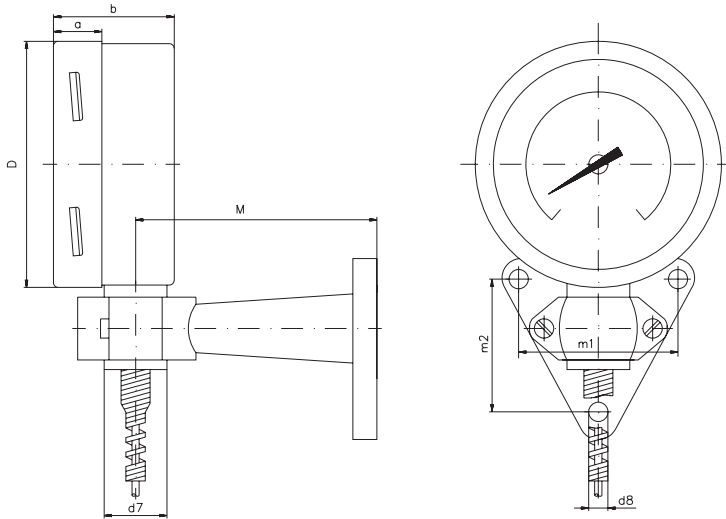


Type 320 TA

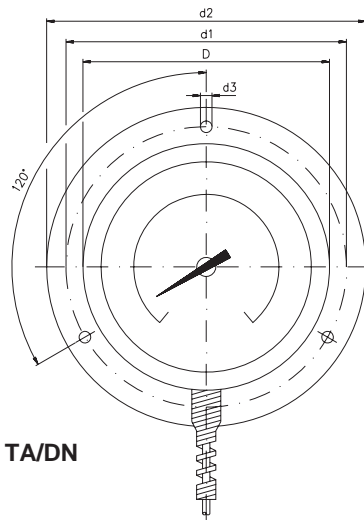
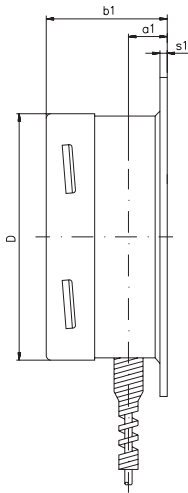
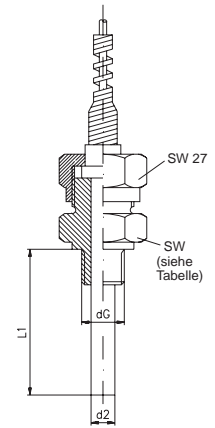


Type 330 TE

Type 310 WH/DN

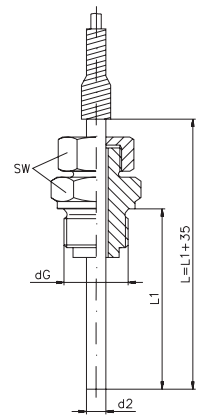


Immersion tube type DN

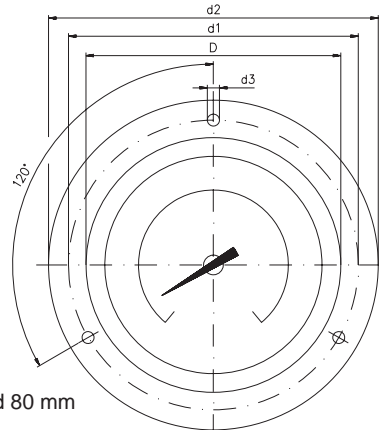
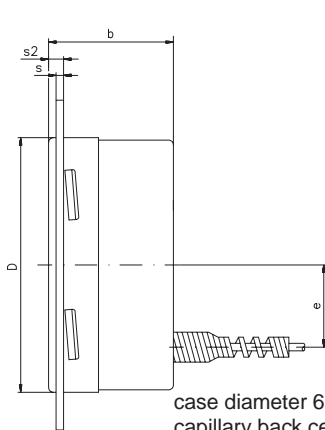


Type 320 TA/DN

Immersion tube type AK



Type 330 TE/DN



case diameter 63 and 80 mm
capillary back centre

Size of thread	
AF	d _G
27	G ¹ / ₂ A
32	G ³ / ₄ A
27	M 20x1,5
32	M 27x2

We reserve the right for technical modifications.

Dimensions (mm)																	
Dia	a	a ₁	b	b ₁	D	d ₁	d ₂	d ₃	e	s	s ₁	s ₂	d ₇	d ₈	m ₁	m ₂	M
63	16	18	41	44,5	64	75	85	3,7	–	2	6	5	26	7	65	56	100
80	13	15	49	51	81	95	110	3,7	–	2	6	5					
100	16	19,5	55	59	101	116	132	4,8	36	2	6	6					
160	16	19,5	50	54	161	178	196	5,8	53	2	6	6					