




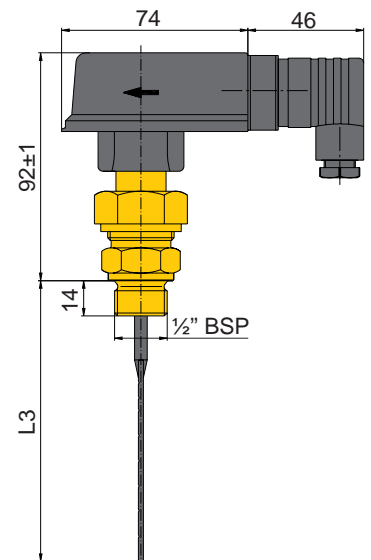
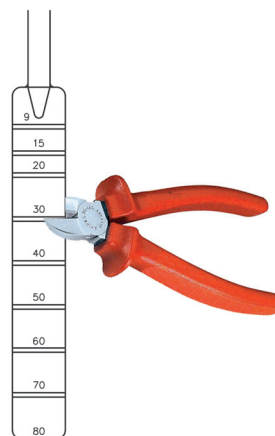
# Paddle Flow Switches for liquids

## Series VHS 06 MK

- One flow switch for a wide range of pipe sizes
- Paddle trimmable to adapt to different pipe sizes
- Insertion into Tees (DN 20...50) or insertion into pipes by ½" BSP female socket (DN 40...200)

### Technical data

Norminal pressure	PN 25
Max. medium temp.	110 °C
Max. ambient temp.	80 °C
Protection class	IP 65
Max. switching current	1 A
Max. switching voltage	230 VAC, 48 VDC
Max. switching rating	26 VA, 20 W
Setpoint tolerance	±15 %
Materials - body - paddle system	Brass PPO NORYL GFN3
Electrical connection - Standard	- Plug connector EN 175301-803-A
- Option	- Plug connector EN 175301-803-A (2 LED)
- Option	- 4-pin sensor plug M12x1
Approvals	  



### Set point ranges and paddle length

Pipe size	Paddle to be trimmed to			Set point [m³/h]		Q max [m³/h]
	Paddle marks	Dimensions	Laid length L3	increasing flow	decreasing flow	
DN 20 *	9	12 x 9 mm	40 mm	1,1	0,9	4
DN 25 *	15	12 x 15 mm	46 mm	1,3	1,1	5
DN 32 *	20	12 x 20 mm	51 mm	1,9	1,6	8
DN 40 *	30	12 x 30 mm	61 mm	2,1	1,8	10
DN 50 *	40	12 x 40 mm	71 mm	2,7	2,4	14
DN 80 **	60	12 x 60 mm	91 mm	5,1	4,7	30
DN 100 **	80 (not trimmed)	12 x 80 mm	111 mm	6,4	5,8	40
DN 150 **	80 (not trimmed)	12 x 80 mm	111 mm	15,5	14,2	100
DN 200 **	80 (not trimmed)	12 x 80 mm	111 mm	30,0	29,0	180

\* installation into Tees acc. EN 10242

\*\* installation into socket acc. EN 10241, ½" BSP female threaded, length 15 mm