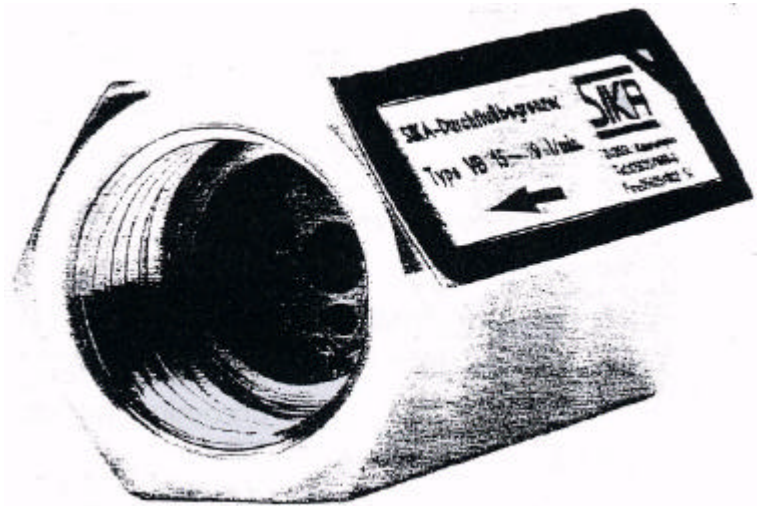


# SIKA- Flow Regulator



## Series VB - 15 - SR

- Flow regulation without auxiliary energy
- simple and inexpensive control device
- compact type of construction
- easy to install
- energy - saving effects



### Applications

- Flow regulation in heating and sanitary systems.
- All pipe systems with demand for a constant flow volume.

### Description

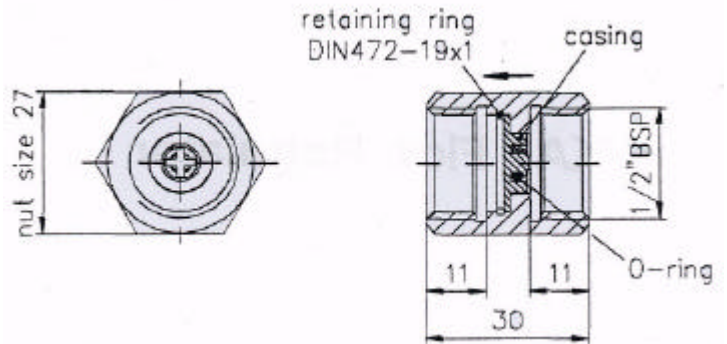
The SIKA flow regulator of the Series VB guarantees a constant quantity of water flow.

The regulation element is made of a high-class rubber. It releases a split-opening which depends on the water pressure.

The regulating element itself is installed in a proximity plastic case.

## Technical Data

### Dimension sizes:



Type	Flow volume regulation in l/min (H <sub>2</sub> O, 20°C)	Connection thread
VB 15-03-SR	3	violett
VB 15-06-SR	6	grey
VB15-07-SR	7	cream
VB 15-08-SR	8	white
VB 15-10-SR	10	yellow
VB 15-12-SR	12	brown

**Tolerance of control:** \*5 l/min: ± 15%  
/6 l/min: ± 10%

**Operating temperature:** max. 60°C  
(immediately 90°C)

**Working pressure:** 1 - 10 bar

Other products in the range from 1 to 15 l/min on request.

### Material specifications:

Pipe section	alternatively brass ( 2.0401 ), brass chromium plated or stainless steel ( 1.4571 )
O-Ring	NBR
Case	Hostaform C (POM)
Retaining ring	stainless steel ( 1.41 22 )

### Applications

Water and energy saving up to 75% by using the SIKA flow limiter VB

#### Energy saving

Hot and cold water are important for our way to life. However, to heat water up it needs a lot of energy, and energy consumption means spending money. Sewage water also has to be paid for according to water consumption. So, summing up, this means quite some money.

#### Suitable for all installations

Application of the SIKA flow limiter VB is simple and effective as this part can be directly mounted. Best results and optimal savings can be reached when all pipe systems are equipped with the SIKA flow limiter VB.

#### Applications in:

- public swimming pools and baths
- hotels
- one-family homes, apartment houses
- industrial premises
- schools, barracks, hospitals