

Pressure Gauges

SIKA-pressure gauges, type MRE-g



Bottom connection direct mounting

- Ring clamped on
- Stainless steel 1.4301
- Filled with glycerine
- Thread connection brass
- Accuracy
Case dia 63 mm class 1.6
Case dia 80 mm and 100 mm class 1.0
- Approved by German Lloyd Certificate No. 13 675-99 HH



Dimensions [mm] - See figures page 9, right side

NG	D	D1	a	a1	b	b1	b2	c	c1	c2	d1
63	62	67	12,5	15,5	35	36	38	5	2	13	75
80	79	86	16	21	44	38,5	46	6	3	20	95
100	99	106	20	23,5	55	55	58,5	6	3	20	116

NG	d2	d3	e	G	g	h	s	s1	s2	s3	SW
63	85	3,7	18	G 1/4 B	58	54	8,5	5	1	4,5	14
80	110	4,8	-	G 1/2 B	82	76	9	5	1	6	22
100	132	4,8	30	G 1/2 B	97	87	10	6	1	6	22



Bottom connection with back flange

Order Code

Measuring ranges [bar] - Insert in order code table page 9

Range	SIKA-Order-Code	Range	SIKA-Order-Code	Range	SIKA-Order-Code
-0,6/0	MREGxxx305xxx	-1/0	MREGxxx315xxx	-1/0,6	MREGxxx505xxx
-1/1,5	MREGxxx515xxx	-1/3	MREGxxx525xxx	-1/5	MREGxxx535xxx
-1/9	MREGxxx545xxx	-1/15	MREGxxx555xxx	0/0,6	MREGxxx015xxx
0/1	MREGxxx025xxx	0/1,6	MREGxxx035xxx	0/2,5	MREGxxx045xxx
0/4	MREGxxx055xxx	0/6	MREGxxx065xxx	0/10	MREGxxx075xxx
0/16	MREGxxx085xxx	0/25	MREGxxx095xxx	0/40	MREGxxx105xxx
0/60	MREGxxx115xxx	0/100	MREGxxx125xxx	0/160	MREGxxx135xxx
0/250	MREGxxx145xxx	0/400	MREGxxx155xxx	0/600	MREGxxx165xxx
0/1000	MREGxxx175xxx	0/1600	MREGxxx185xxx		



Rear connection direct mounting



Rear connection with front flange

Order Code

Bottom connection direct mounting (fig. 1)

Dial size	SIKA-Order-Code	ISSA-Code	IMPA-Code
63 mm (class 1.6)	MREG111xxx00G	61.232.01	65 15 ...
80 mm (class 1.0)	MREG211xxx00G	61.232.02	65 15 ...
100 mm (class 1.0)	MREG311xxx00G	61.232.03	65 15 ...

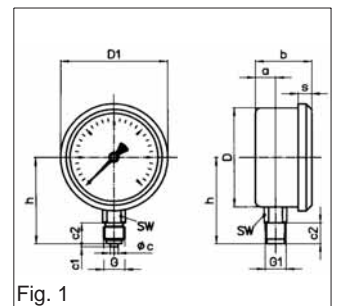


Fig. 1

Bottom connection with back flange (fig. 2)

Dial size	SIKA-Order-Code	ISSA-Code	IMPA-Code
63 mm (class 1.6)	MREG111xxx10G	61.232.04	65 15 ...
80 mm (class 1.0)	MREG211xxx10G	61.232.05	65 15 ...
100 mm (class 1.0)	MREG311xxx10G	61.232.06	65 15 ...

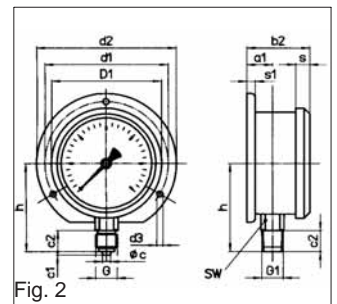


Fig. 2

Rear connection direct mounting (fig. 3)

Dial size	SIKA-Order-Code	ISSA-Code	IMPA-Code
63 mm (class 1.6)	MREG121xxx00G	61.232.13	65 15 ...
80 mm (class 1.0)	MREG221xxx00G	61.232.14	65 15 ...
100 mm (class 1.0)	MREG321xxx00G	61.232.15	65 15 ...

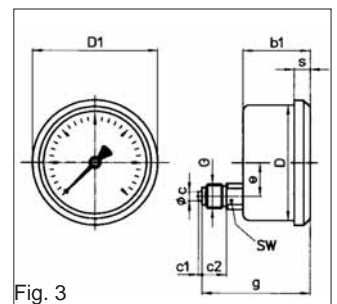


Fig. 3

Rear connection with front flange (fig. 4)

Dial size	SIKA-Order-Code	ISSA-Code	IMPA-Code
63 mm (class 1.6)	MREG121xxx20G	61.232.10	65 15 ...
80 mm (class 1.0)	MREG221xxx20G	61.232.11	65 15 ...
100 mm (class 1.0)	MREG321xxx20G	61.232.12	65 15 ...

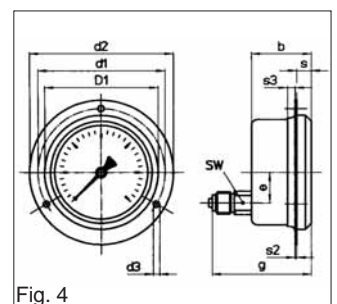


Fig. 4

Rear connection with u-clamp fixing (fig. 5)

Dial size	SIKA-Order-Code	ISSA-Code	IMPA-Code
63 mm (class 1.6)	MREG121xxx30G	61.232.07	65 15 ...
80 mm (class 1.0)	MREG221xxx30G	61.232.08	65 15 ...
100 mm (class 1.0)	MREG321xxx30G	61.232.09	65 15 ...

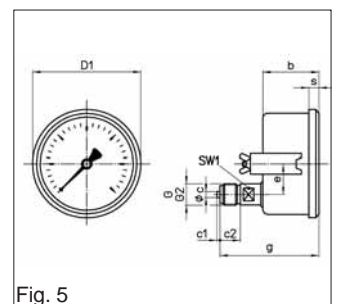


Fig. 5