

Precision Dial Thermometers

gas filled system

Typical applications



- Cooling water
- Air
- Lubricating oil
- Approved by German Lloyd Certificate No. 12 026-98 HH



Range

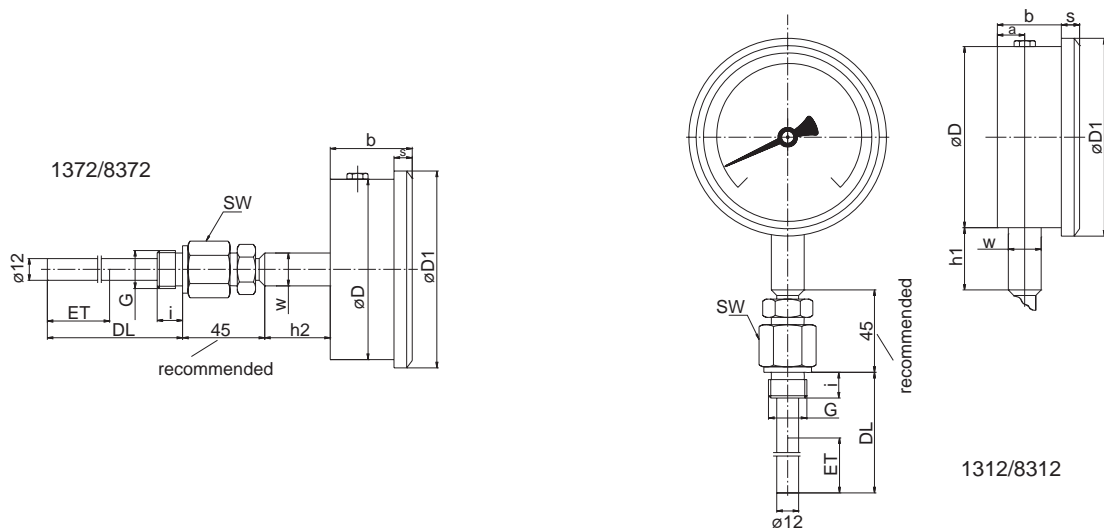
- 0 +100 °C, 0 +120 °C, 0 +160 °C
- Double scale °C and °F available
- Other ranges upon request

Technical Data

Casing	Dia. 80 or 100 mm stainless steel 1.4301
Dial	White, black markings
System	Nitrogen filled system
Immersion tube	Heat resistant steel
Standard dimension lengths "DL" in mm	135, 160, 250, 300, 400
Thread connection	Adjustable clamp screw
Size	½" BSP, ¾" BSP, other thread sizes upon request
Accuracy	Class 1.0, Limits of error acc. DIN EN 13190
Type	Case configuration
Casing dia. 80 mm	
8312	Bottom connection
8372	Rear connection
Casing dia. 100 mm	
1312	Bottom connection
1372	Rear connection

Dimensions (mm)

NG	a	b	D	D1	h1	h2	s	W
80	15	45	79	86	34	36	10	18
100	15	45	99	108	34	36	10	18



Order Code for Type Z1312 bottom connection with adjustable clamp screw

Mounting length DL	SIKA-Order-Code	ISSA- Code	IMPA-Code
Case dia 100 mm = Z1312...			
135 mm, G½	...MXX113522		65 25
160 mm, G½	...MXX116022		65 25
200 mm, G½	...MXX120022	61.125.01	65 25
250 mm, G½	...MXX125022	61.125.02	65 25
300 mm, G½	...MXX130022	61.125.03	65 25
135 mm, G¾	...MXX113532		65 25
160 mm, G¾	...MXX116032		65 25
200 mm, G¾	...MXX120032	61.125.05	65 25
250 mm, G¾	...MXX125032	61.125.06	65 25
300 mm, G¾	...MXX130032	61.125.07	65 25
400 mm, G½	...MXX140022	61.125.11	65 25
500 mm, G½	...MXX150022	61.125.12	65 25
400 mm, G¾	...MXX140032	61.125.16	65 25
500 mm, G¾	...MXX150032	61.125.17	65 25

SIKA Order code for case dia 80 mm = Z8312...

Order Example XXXXXX10XXXXXX for Range 0 + 100°C
 XXXXXX12XXXXXX for Range 0 + 120°C
 XXXXXX16XXXXXX for Range 0 + 160°C

Other range on request

Note for ordering

When ordering standard types, please use order numbers. If changes, e.g. in range, immersion tube materials, stem lengths or connections are required, they have to be specified in your order.