

Protection Tubes for Thermometers with External Thread

DIN 43772, Form 4, 5 + 6 and DIN 16179 for Thermometer Connection Types B, SN or AK

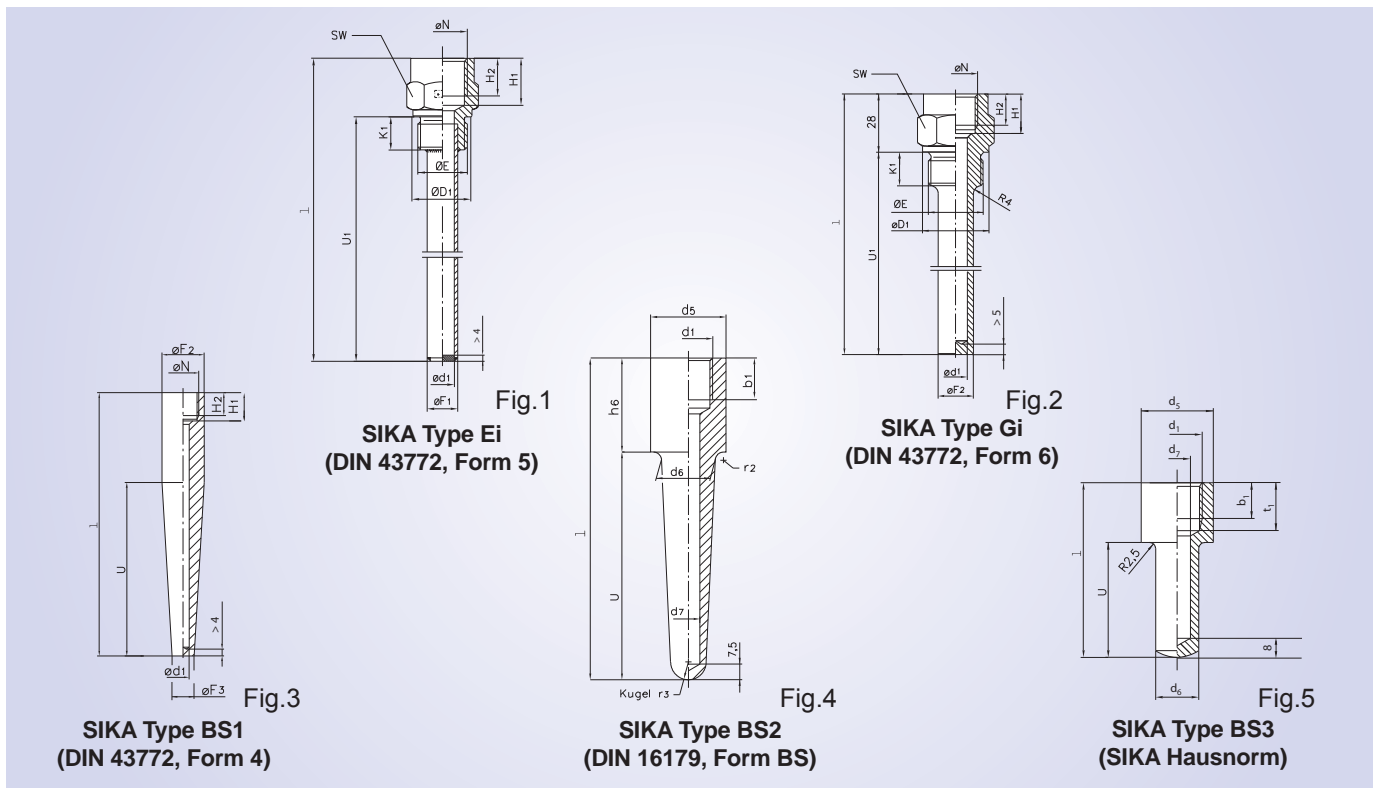
Order Example		179.1	45	2	0
Immersion tube					
SIKA Type Ei (Fig. 1)	→	179.1			
SIKA Type Gi (Fig. 2)	→	179.3			
SIKA Type BS 1-3 (Fig. 3, 4 + 5)	→	180.5			
Immersion length l ₁	Overall length L	Immersion length U/U ₁	Type		
Type Ei - tube brazed into socket for non-ferrous materials or welded for steel, to be screwed in					
63	73	45	045		
100	110	82	082		
160	170	142	142		
250	260	232	232		
400	410	382	382		
Type Gi - made of solid material to be screwed in					
63	73	50	050		
100	110	82	082		
160	170	142	142		
250	260	232	232		
400	410	382	382		
Type BS - made of solid material weld-in type					
63	73	48 = BS3	048		
100	110	73 = BS1	073		
160	170	133 = BS1	133		
250	260	223 = BS2	223		
400	410	373 = BS2	373		
Connection thread dimension					
G½				2	
M20x1,5				7	
G¾				3	
M27x2				9	
Materials for type					
Ei	Steel, connection thread 1.0718 / tube 1.0308				0
	Brass - CW614N or CW612N				1
Gi	Brass - CW614N or CW612N				1
Ei, Gi, BS	Stainless steel - 1.4571				3
Ei	Special brass - connection thread CW710R / tube CW702R				4
Gi	Special brass - CW710R				15
	Copper-nickel alloy - CW354H				5
	Stainless steel - 1.7335				7
	Stainless steel - 1.7380				8
	Stainless steel - 1.5415				9
BS	Steel - 1.0460				6



Order Example

Select type	e.g. type Ei	= 179.1
Select protection tube imm. length	e.g. for l ₁ = 100 mm; U ₁ = 82 mm	= 179.1.082
Select connection thread	e.g. G½"	= 179.1.082.2
Select material	e.g. brass	= 179.1.082.2.1

Pictures and Dimensions



Dimensions for Types Ei and BS1

Thread	Code Nr.	D ₁	H ₂	F ₂	F ₃	d ₁	F ₁	F ₃	K ₁	H ₁	SW
G½	2	26	15	26	17	11	14	17	14	19	27
M20x1,5	7			h7							
G¾	3	32	17	32	19	11	14	17	16	22	32
M27x2	9			h11							

Dimensions for Type Gi

Thread	Code Nr.	D ₁	H ₂	F ₂	F ₃	d ₁	F ₁	F ₃	K ₁	H ₁	SW
G½	2	26	15	17	17	11	14	17	14	19	27
M20x1,5	7										
G¾	3	32	17	19	19	11	14	17	16	22	32
M27x2	9										

Dimensions for Type BS2

Thread d ₁	Code Nr.	d ₅	d ₆	d ₇	b ₁	h ₆	r ₂	r ₃
M20x1,5	7	30	25	11	16	39	2,5	8,5
G½	2	h11						
G¾	3	36	26	11	20	45	4	8,5
M27x2	9	h11						

Dimensions for Type BS3

Thread d ₁	Code Nr.	d ₅	d ₆	d ₇	b ₁	t ₁
G½	2	30 h11	18	11	15 ⁺¹	20