

# Water Meter WKV E02F



## Technical data

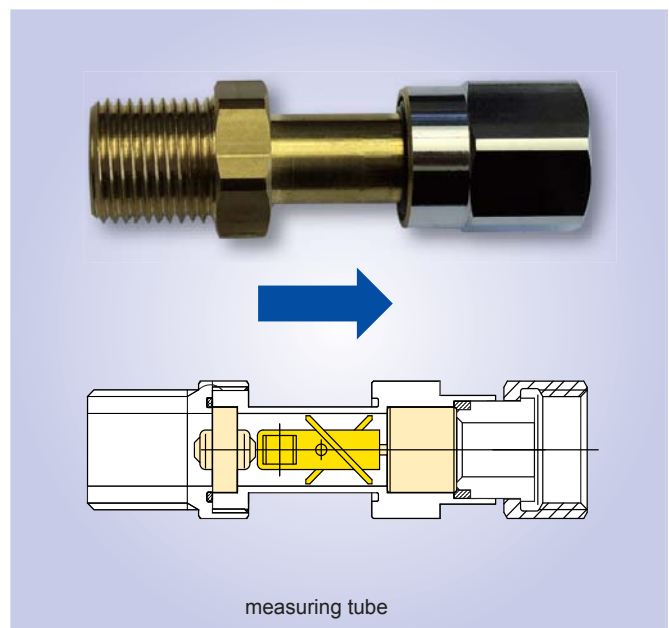


Compact version with chrome-plated plastic rosette

Measurement range according to MID		
Typical measurement range	0.1...1.0 m³/h	
Q3	1.0 m³/h	
Q4	1.25 m³/h	
Q2/Q1	1.6	
R (Q3/Q1)	10	
Accuracy class (Q1 ≤ Q ≤ Q2)	2 at T < 30 °C ±5 %	2 at T > 30 °C ±5 %
(Q2 ≤ Q ≤ Q4)	±2 %	±3 %
Calibration value	0.1 l	

Mechanical design measuring tube	
Diameter	DN 10, 3/8"
Thread connection inlet	G3/8, G1/2: male/female
Thread connection outlet	G3/8, G1/2, G3/4: male/female
Length of metering tube, straight version	64 mm up to 90 mm
Length of metering tube, exceter version	70 mm up to 100 mm
Temperature range	T90: 0.1 °C < T < 90 °C
Water pressure class MAP	1.6 MPa
Pressure drop ΔP	63 mbar
Installation position	horizontal / vertical
Climatic and mechanical environmental condition	Class B / Class M1 / 5 °C up to 55 °C
Installation point	Fill post

Electrical data	
Pickup	Pulse sensor with no power supply
Pulse rate Resolution	512 /Pulses per litre 1.95 ml /Pulse
Display	LCD / 6 digits / one line / 999.999 m3 • at flow • at no flow • at magnet approach • cumulated quantity of water (litre) • blind / standby • ID number / current status
Interface	electro-optical / radio transmitter
Read out adapter	standard optocoupler ZVEI
Readout protocol	Standard-M-bus acc. to EN 1434-3
Data protocol	34 data sets: 15 monthly values, time...
Manipulation monitoring	Opening recognition / magnet recognition
Battery / life time	Lithium / approx. 10 years
Electromagnetic environmental condition	Class E1
Interference immunity	U0 / D0



measuring tube

Materials	
<b>Tube</b>	Brass, nickel-plated or chrome-plated
<b>Turbine capsule / rotor</b>	Plastic with magnet
<b>Bearing</b>	Sapphire / hard metal
<b>Body</b>	ABS
<b>Rosette</b>	ABS chrome-plated or colored



Radio transmitter	
<b>Radio system</b>	Transmitter / receiver FM half-duplex
<b>Frequency band</b>	433.82 MHz
<b>Channel splitting</b>	50 kHz
<b>Transmitting power</b>	max. 10 mW
<b>Aerial</b>	Integrated into the instrument
<b>Capacity / Reading</b>	Usually 30 meters

Approvals	
Swiss ordinance on measuring instruments (SR 941.210) of February 15, 2006, annex 2 module B	
Directive 2004/22/EG of the European Parliament and Council of March 31, 2004 on measuring instruments (MID), annex B, measuring instrument category MI-001	
<b>Conformity standards</b>	EN 14154: Edition 2007, OIML R49: Edition 2006
<b>Use with drinking water</b>	According to SVGW guidelines
<b>Radio (Bakom CEN approval)</b>	According to ETS 300 200

## Application examples

